

Cibės

World Leader in **HOME LIFTS**



IMPORTED FROM SWEDEN

SINCE 1947





2 PERSONAL | PROFESSIONAL | PROGRESSIVE

www.cibeslift.co.id

CIBES LIFT SOLUTION

BRINGING PEOPLE TOGETHER

Cibes Lift Specification.....	07
Space Saving.....	08
Easy Lift.....	10
Cibes Classic.....	11
Voyager.....	12
Elegance Series.....	14
Aurora Series.....	16
Limited Series.....	20
Galaxy Series.....	22
Ecosilent System.....	24
Premium Carpet.....	26
Fine Colors.....	28
Accessories.....	30
Case Studies.....	32
Technical Specifications.....	36
After Sales.....	45
Cibes History.....	36



A high-angle photograph of a man and a woman standing next to a modern, glass-enclosed lift. The man, on the left, is wearing a dark suit and glasses, and is gesturing with his right hand towards the lift. The woman, on the right, is wearing a black top and a necklace, and is holding a smartphone. The lift has a yellow interior. The background shows a wooden staircase and a glass railing.

Over 60,000 lifts INSTALLED

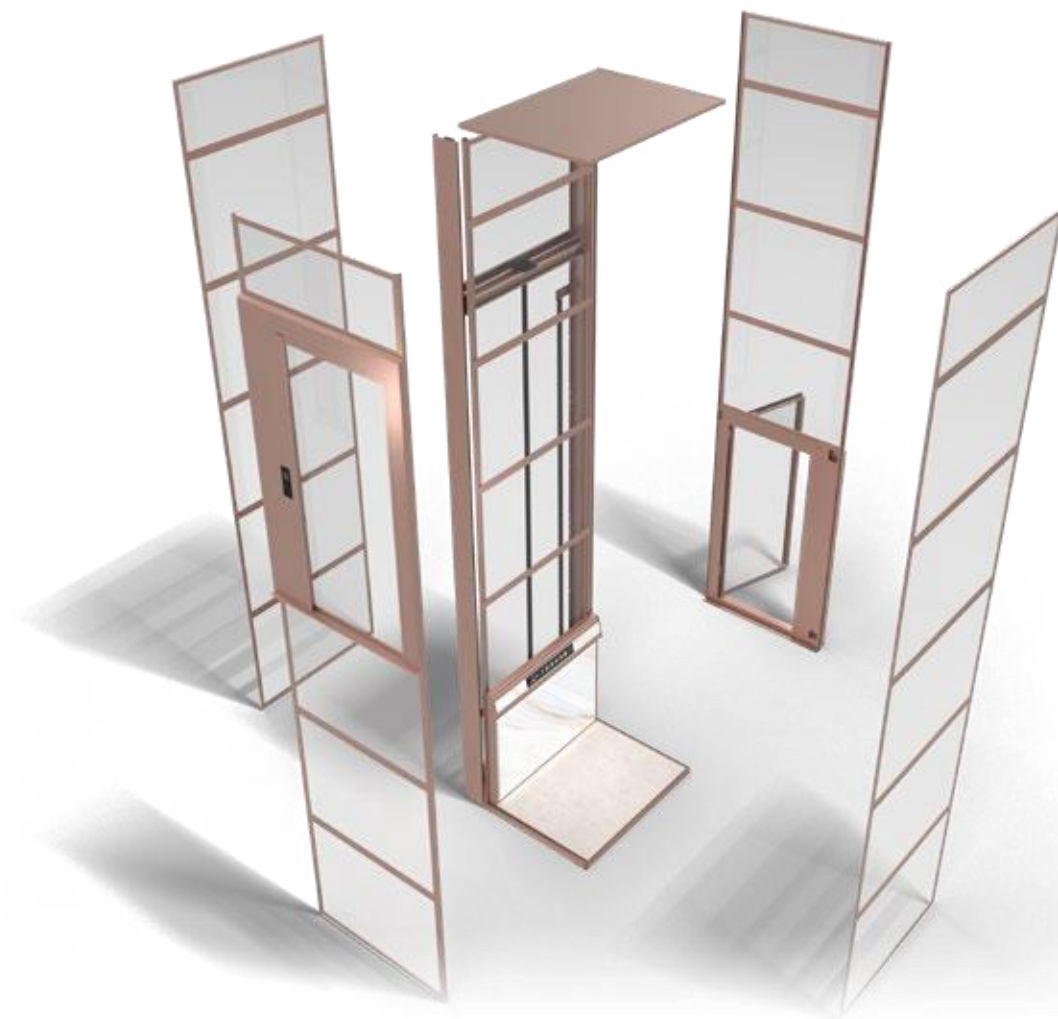
In 1947, a simple idea laid the foundation for the Cibes Lift Group: a safe and high-quality home lift.

Today, Cibes is one of the world's leading (and fastest growing) manufacturers of low-speed lifts. Cibes Lift Group has subsidiaries in 13 countries and we deliver lifts to 50 countries around the world through our global network of 200+ distributors.

As the market leader of screw-driven platform and cabin lifts, we offer you a wide range of lift models, sizes and design choices to meet the needs of architects, contractors and most importantly, the lift users themselves. Our lifts are known for their reliability, attractive design and user-friendliness, making them perfect for public environments.

Space Saving Platform Lifts WITH A SHAFT

No pit and top height requirement, self-contained shaft. For decoration-completed building, Cibes Lifts products are easy and fast to install as well.



Since all the elements of Cibes Lifts are prefabricated and fully integrated, the installation requires no pit, nor separate shaft or machine room. Consequently, installation time and surrounding construction work can be reduced to a minimum. The prefabricated lift parts are delivered in small packages that can be easily handled through narrow passages.

SCREW DRIVE SYSTEM

NO PIT, NO MACHINE ROOM, SMALL SIZE, SPACE EFFICIENCY

Furnish WITH A LIFT

Cibes Lift combines reliable technology with the elegance and simplicity that has become a trademark of Scandinavian design. Our platform lifts come in glazed, self-supporting shafts that provide an airy design solution to appeal to architects as well as lift users. Glass panels are just one of many options that can be used to shape the lift to fit its environment – but we have many, many more, including color, materials and special finishes.



A lift that
BLENDS IN

Cibes Lifts combine reliable technology with the elegance and simplicity that has become a trademark of Scandinavian design. Platform lifts in glazed, self-supporting shafts provide an airy design solution that appeals to architects as well as lift users. Glass panels is just one of many options that can be used to shape the lift to fit its environment as well as user needs and requests.

Cibes Lifts are compliant with Sweden and European safety standard EN81-41 and are certified by the notified body LIFTIN TITUUT

A short list of some safety features are noted below:

- » emergency stop
- » alarm
- » emergency lowering
- » emergency lighting
- » platform safety edges
- » telephone
- » emergency locking system



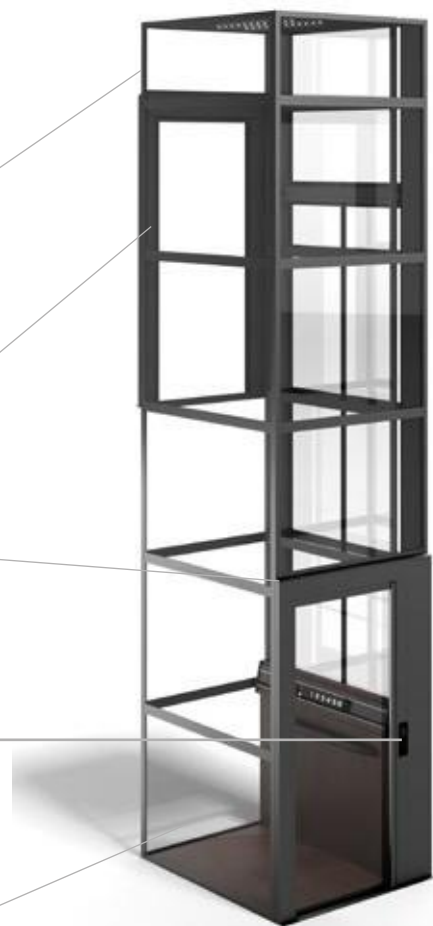
One of the advantages of our screw driven lifts, is the reduced headroom above the top floor level. For the top floor ceiling eight, only 2.2 meters is required for a standard full height door, or otherwise in the most constricted spaces, we can also provide gate access on the top landing.

The robust modular shaft can be finished in a range of different RAL powder coated colours or built with safety glass panels. Choose from any of over 240 different colors to suit your home and personal taste.

Cibes lifts can be equipped with automatic door openers as an option.

The controls on the lift are simple, elegant and suitable for the home environment, one touch call buttons are provided on each landing for ease of operation.

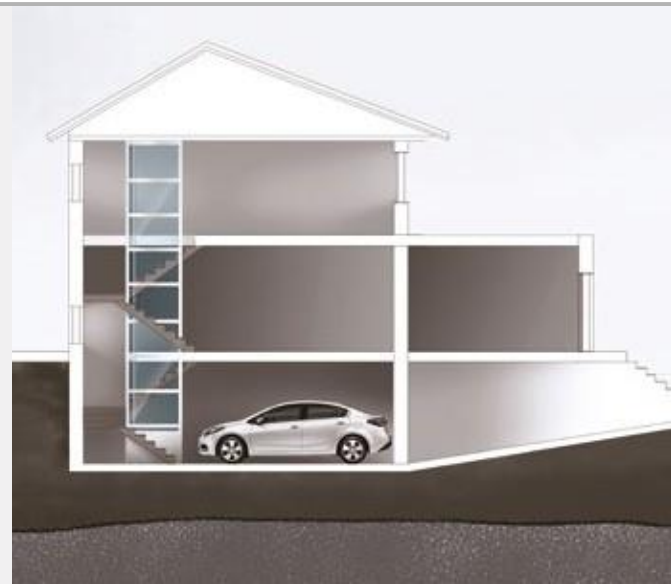
One other advantage of our screw driven lift solution is that even under ZERO pit conditions our lift can be installed, in most any kind of structure from detached home to high rise apartment.



THE SCREW DRIVE MECHANISM offers a smooth and very quiet lift movement, as a result of long experience and development. The elegance of our unique screw driven system is in its safety through simplicity which we have developed over more than 70 years of R&D and Manufacturing.

Perfect for Multi-LEVEL HOMES

Around the world, town houses and villa complexes are becoming more and more common. These houses often have basements and underground parking, reflecting a gated community where the roads are for pedestrians. Cibes lifts were designed to be a perfect fit, in both sizes and customization ability.



NO PIT, NO MACHINE ROOM

Going up and down the stairs can be a burden for multigenerational families, and installing a traditional lift with shaft takes up significant floor space

Cibes Lift developed one of the world's most convenient elevator solutions. It eliminates the cost and trouble of digging a pit and developing a shaft and separate support structure. There is no need to modify your existing foundation, you can just put a Cibes no-pit Lift

directly on your lowest landing floor. Simple fixing points along the shaft that require minimal structural support are all that remains to install!

For homes with underground parking or basements, digging a pit requires destruction of the original foundation and building structure, which will require water proofing and other significant building works. The best place for a lift is the in middle of the staircase from a design perspective. Cibes Lifts space saving footprint and 360 degree panoramic glass shaft are perfect for this type of layout.

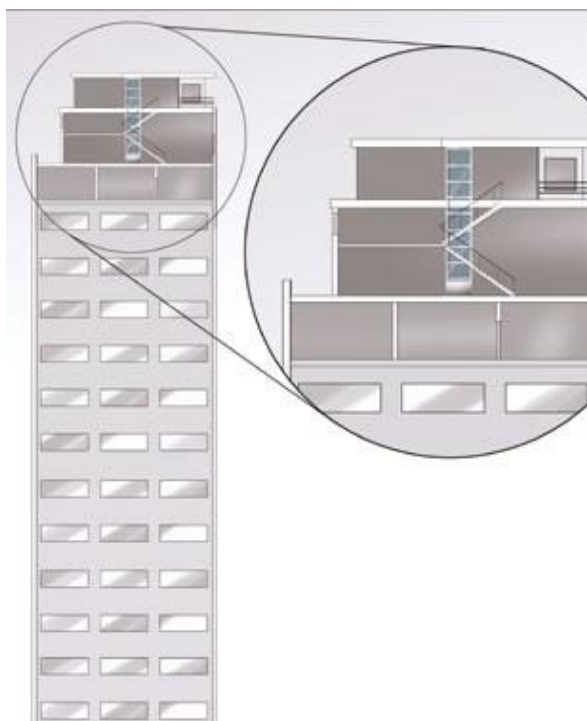
SPACE SAVING

Parking cars underneath at 1st or 2nd floor basements is more and more common, even in areas with high water tables or prone to flooding

Installing a traditional traction or hydraulic lift, with steel support structure and shaft, often has a usable Lift space utilization (lifting area versus total elevator structure total area requirements) of just 30-40%.

With Cibes home lifts, you can get above 70% space utilization, and even have small sizes with a footprint of just about 1 square meter! In these types of homes, the most beautiful solution is have the lift in the center of the staircase with panoramic glass.

Top floor pent houses or mid level duplex homes usually just have the main elevator up to the first front door, but once inside your multi-level apartment, there is virtually no traditional lift that can be installed. With Cibes' small footprint, light weight, no pit, running off regular home electricity and no counterweight, they have the best solution for these types of homes.



Indoor or **OUTDOOR**

Cibes Platform Lifts are available both for indoor and outdoor. Don't have a space planned for a lift? Simply install it outdoors with our special weather-resistant lift solutions!



EASY LIFT

ACCESSIBILITY SOLUTION - AN OPEN STYLE LIFT

Cibes Easy Lift is the perfect solution for indoor, outdoor use and available with a great choice of different access configurations to fit any home.

KEY FEATURES

- › Robust and reliable open style platform lift
- › Can carry weight up to 385 Kg
- › Travel up to 3 metres (2 Stops Only)
- › Comes in 2 different Sizes
- › Equipped to resist rough weather conditions and temperature changes.
- › No Pit, No Shaft required
- › Installation in only 1-2 days



10 PERSONAL | PROFESSIONAL | PROGRESSIVE



www.cibeslift.co.id

CIBES CLASSIC

SMART AND SPACE SAVING

Cibes Classic lift is a perfect choice for home lifts and commercial buildings. Cibes platform lift is extremely space saving and easy to integrate with new and existing buildings without major construction work.

KEY FEATURES

- › As low as 10 sq. ft footprint – perfect for when you have very little room
- › Available in 360° degree panoramic glass
- › Low maintenance and service cost
- › Easy to install, indoor and outdoor
- › No pit, no machine room
- › 100% made in Sweden



Voyager

4 NEW PRODUCTS

After 4 years of Research and Development, our most cutting-edge lift is here. Every elevator different. 4 series, 13 different sizes, 30 different backgrounds. 268 colors.





7
6
5
4
3
2
1
0

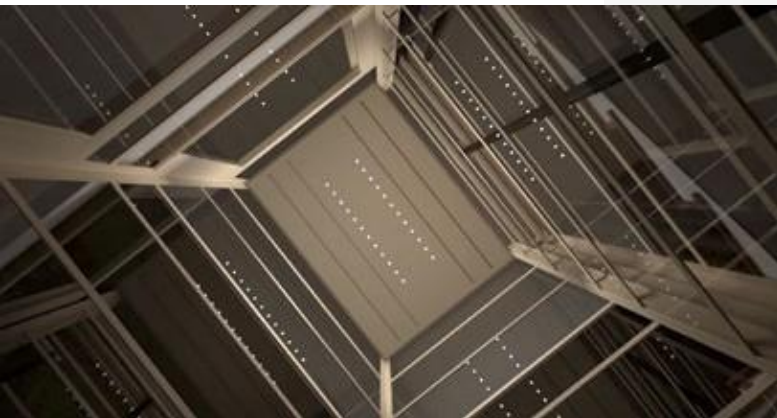
HAZARD OF FALLING INTO THE LIFTWAY - MOVE THE PLATFORM TO THE LANDING LEVEL - IF THIS IS NOT POSSIBLE THE RESCUE OPERATION OF PERSONS MUST BE CARRIED OUT ONLY BY A COMPETENT PERSON

ELEGANCE SERIES

PURE & SIMPLE

KEY FEATURES

- › Higher 4 ft 1-inch (1250 mm) control panel
- › Stainless metal mechanical buttons (can be upgraded to touch screen)
- › LED backlight white control panel
- › 5th generation shaft & doors (metal call button)
- › SAFIS voice safety alert system
- › Standard RAL 9016 white, upgradeable to a full range of premium colors
- › Shaft and platform colors can be chosen separately
- › Optional simple handrail and compact handrail



MIRRORED CEILING & PANORAMIC GLASS PANEL

360° panoramic view with mirrored ceiling looks elegant in the middle of the staircase. Highly customizable, furnish with your lift!

LED CONTROL PANEL WITH LIGHTS

Platform is equipped with LED backlight and metal service panel.



MECHANICAL CONTROL PANEL

Traditional classic design, round mechanical button, solid texture, easy to operate.

5TH GENERATION SHAFT & DOORS

Elegance is equipped with 2 feet 11-inches (904 mm) panels with metal LOP button on door, with fifth generation aluminum door.

- > 2 FEET 11- INCHES (904 MM) PANELS
- > MECHANICAL BUT TONS



ECOSILENT DRIVEN UNIT-PATENT TECHNICAL

Energy conservation and environmental Eco-friendly.
Low Energy Consumption. Lower Sound Levels.



AURORA SERIES

MODERN & TIMELESS DESIGN

KEY FEATURES

- › Higher 4 ft 1-inch (1250 mm) control panel
- › Touch screen control panel with floor level indicator (optional stainless steel mechanical buttons)
- › LED backlit control platform & service panel
- › High quality graphic design to perfectly match home décor
- › 6th generation shaft & doors
- › SAFIS voice safety alert system
- › Shaft and platform colors can be chosen separately



MIRRORED CEILING & PANORAMIC GLASS PANEL

360° panoramic view with mirrored ceiling looks elegant in the middle of the staircase. Highly customizable, furnish with your lift!



STYLISH LUXURY DESIGN

LED backlit control panel with High-End Design to match your home decoration, customized with wide range of premium colors.



TOUCH SCREEN CONTROL PANEL

Touch control screen panel with floor level Indicator (can change to Stainless Steel Mechanical Buttons)



6TH GENERATION SHAFT & DOORS

More glass more design. The Cibes Voyager comes with a brand new shaft, designed to showcase your home. All Voyager lifts also come equipped with brand new Cibes 6th generation doors, which maximize the luxury feel of our lifts.

- › TOUCH SCREEN
- › LEVEL INDICATORS ON EACH FLOOR



PANORAMIC GLASS

360 panoramic glass with mirrored ceiling
experience like never before! Your Design, Your Lift!



www.cibeslift.co.id



PERSONAL | PROFESSIONAL | PROGRESSIVE 17

AURORA PATTERNS

The Cibes Voyager comes with a number of finishes and designs to perfectly match any interior. Aurora Series has 25 background options inspired by the following carefully selected themes:

- › **MINERAL SERIES**
- › **GEOMETRY SERIES**
- › **WATERCOLOUR SERIES**
- › **CULTURE SERIES**



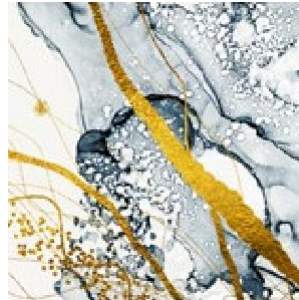
MINERAL SERIES



COBALT BLUE



IMPERIAL BLACK



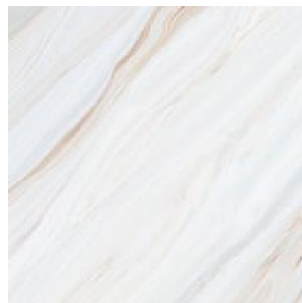
GOLDEN TOPAZ



EVENING AGATE



NOVA CLOUDS



CLAY PARFAIT



CINNABAR ROSE

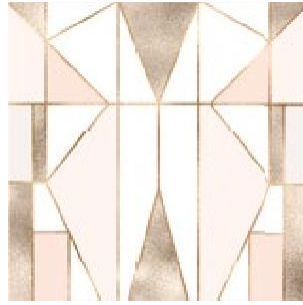


SANDSTONE CANYON

GEOMETRY SERIES



KEPLER



VERONA



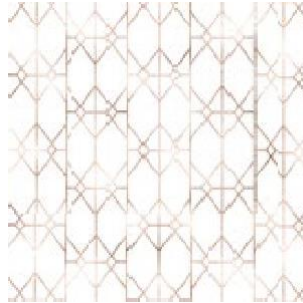
NEW ORLEANS



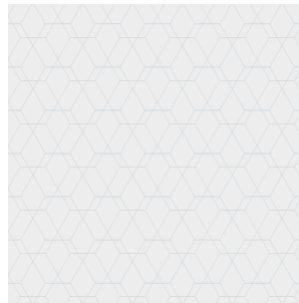
PHARAOH



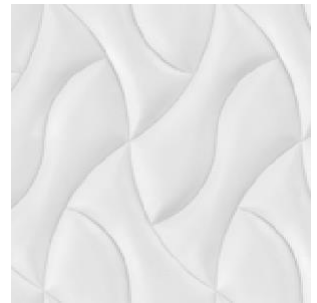
IONA



YEREVAN



EULER

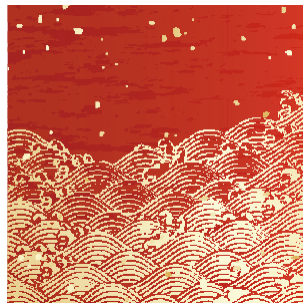


INCA

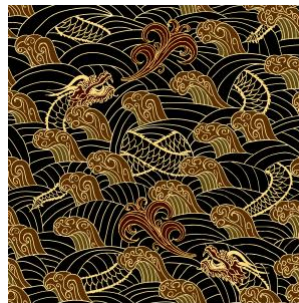
CULTURAL SERIES



LONG SPRING



EULER



DRAGON SEA



PAVONA FEATHERS

WATERCOLOR SERIES



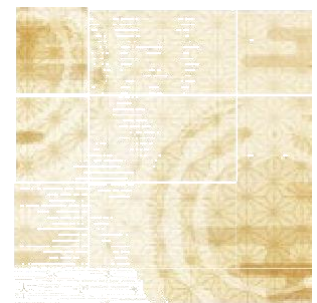
TUSCAN SUN



ARCTIC SKY



JUNGLE WIND



HESSIAN STARS

LIMITED EDITION HIGH-END CUSTOMIZATION

KEY FEATURES:

- › Higher 4 ft 1-inch (1250 mm) control panel
- › Touch screen control panel with floor level indicator (optional stainless steel mechanical buttons)
- › High-end Craftsmanship
- › Eco-friendly leather / wood grain / carbon fiber finish optional
- › 6th generation shaft & doors
- › SAFIS voice safety alert system
- › Standard Cibes texture series + full range of premium colors
- › Shaft and platform colors can be chosen separately
- › Eco leather handrail option

CRAFTSMAN HIGH END FINISHES

Available in wide range of leather, wood and carbon fiber finishes and with optional eco leather handrail.



TOUCH CONTROL SCREEN PANEL

Customizable to stainless steel mechanical buttons, platform light up control panel.

TEXTURES



BLACK LEATHER



BROWN LEATHER



CARBON FIBER



DARK WOOD



LIGHT WOOD

6TH GENERATION SHAFT & DOORS

More glass more design. The Cibes Voyager comes with a brand new shaft, designed to showcase your home. All Voyager lifts also come equipped with brand new Cibes 6th generation doors, which maximize the luxury feel of our lifts.

Our most LUXURIOUS SHAFT yet, only on Voyager.

- › **TOUCH SCREEN**
- › **LEVEL INDICATORS ON EACH FLOOR**



www.cibeslift.co.id

EXCLUSIVE FINISHES

5 choices of 3M Di-Noc Finishes to choose from.
Eco-leather stitched traditional handrail.



PERSONAL | PROFESSIONAL | PROGRESSIVE 21

GALAXY SERIES

INTERSTELLAR EXPERIENCE

KEY FEATURES

- › Higher 4 ft 1-inch (1250 mm) control panel
- › Touch screen control panel with floor level indicator
- › Variable RGBW LED laser-etched lighting for control panel and service panel
- › 6th generation shaft & doors
- › SAFIS voice safety alert system
- › Standard Cibes texture series + full range of premium colors
- › Shaft and platform colors can be chosen separately

LIGHT UP EFFECTS

High Tech Effect RGBW LED Laser Light Effect on Control & Service Panel (fixed or changing LED colors).

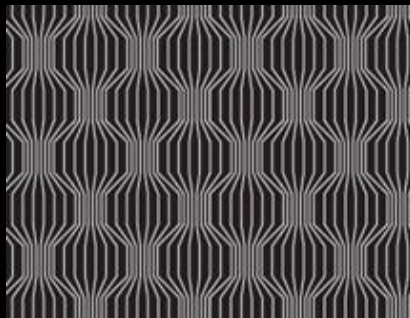
Note: Fixed or changing through 8 selectable LED colors.



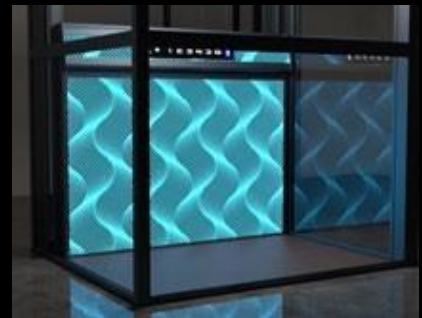
EULER I



EULER II



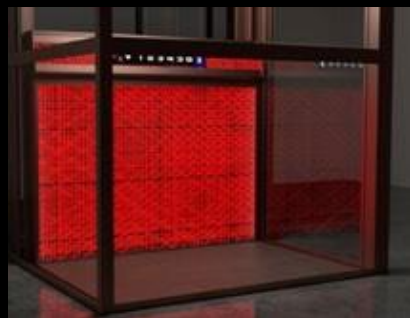
GAUSS



FARADAY



AWAKENING



CARTESIAN



MOLECULAR

6TH GENERATION SHAFT & DOORS

More glass more design. The Cibes Voyager comes with a brand new shaft, designed to showcase your home. All Voyager lifts also come equipped with brand new Cibes 6th generation doors, which maximize the luxury feel of our lifts.

OUR most LUXURIOUS SHAFT yet, only on Voyager.

- › **TOUCH SCREEN**
- › **LEVEL INDICATORS ON EACH FLOOR**



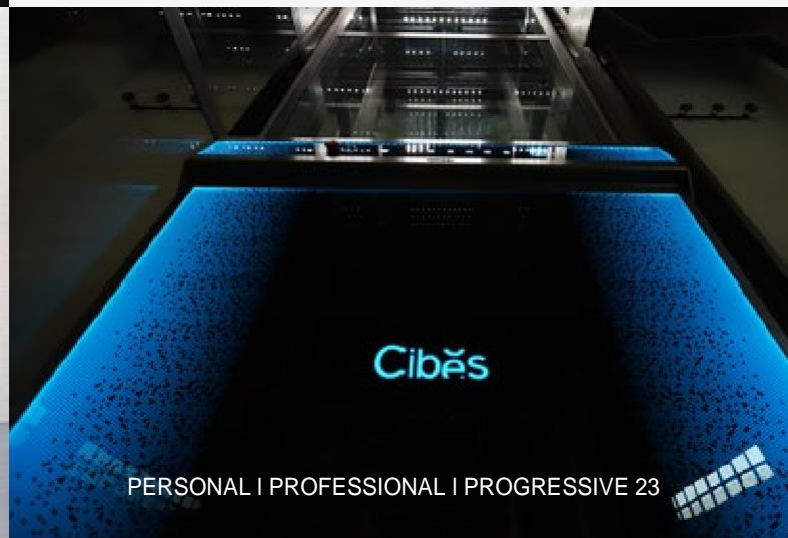
TOUCH SCREEN

Touch Control Screen Panel with Lift Status Indicator (can change to Stainless Steel Mechanical Buttons).

Note: Compact Handrail available ONLY.



www.cibeslift.co.id



PERSONAL | PROFESSIONAL | PROGRESSIVE 23

Silent, Energy-efficient Ecosilent

We want you to be able to enjoy the comfort of your lift, day and night, without ever waking your family. To offer you and your loved ones a smooth and quiet ride, we took inspiration from the serenity of Swedish nature. The result is virtually soundless.



Lifting screw

The lifting screw has a 3 x higher pitch (36 mm) and the new screw joints are so smooth that you hardly notice them during lift travel.



Guiderail Joints

Design upgrade, they eliminate the vibration from guiderail connection during lift travel.



Guide rollers

The guide rollers reduce the frictional force by 90% and need no lubrication, which facilitates maintenance.



SilentBox

The drive unit is enclosed in an elegant soundproof metal casing, designed to cover up the drive unit and to eliminate high-frequency noise.



Drive unit

The new drive unit has been completely redesigned for silent and energy-efficient operation.



A lift equipped with our innovative drive system carries Energy Label A and uses 45% less energy than a lift without. Yearly energy consumption based on a 2 stop lift with 3.6 m travel, equipped with EcoSilent and a frequency of use of 20 travels/day. Energy classification according to VDI 4 07 Part 1: 2009. Tests conducted by Liftinstituut B.V. www.liftinstituut.com. Decibels measured 2 m from the lift, at constant speed and with a 150 kg load. All tests conducted by Springwell Audio AB, member of the Swedish Acoustical Society, www.springwellaudio.se.



🔊 In a quiet bedroom – 30 dB

🔊 Cibes EcoSilent – 40 dB



🔊 Coffee machine – 60 dB

🔊 Running the tap – 85 dB

🔊 Dishwasher – 55 dB

Premium CARPETS



PREMIUM CARPETS



Guldgul - ECO 8024H



Teknologisk - ECO 8012H



Vävd ECO 44010



Stjärnklar - ECO 8019H



Gråsten ECO 8027H



Ström - ECO 8013H





Forest FLOORS



PREMIUM FLOORS



Teak



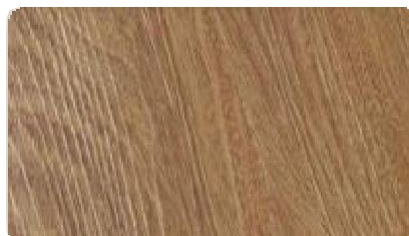
Walnut



Cherry



Oak



Sandalwood



Pearwood

Premium Lift COLORS

ALESTA PREMIUM SERIES



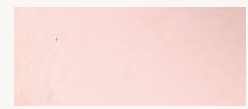
Simply Copper



Sunny Gold



Roman Gold



Roman Rosé



Roman Bronze



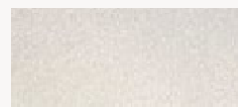
Super Silver



Metallic Asphalt



Silver Dream

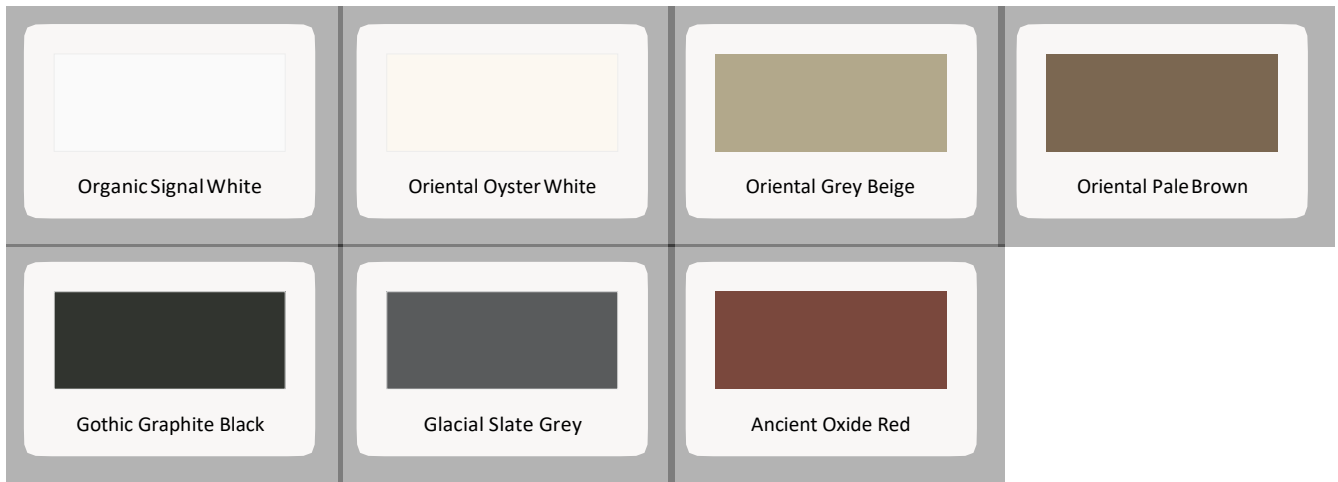


Silver Texture



Original Platinum

ALESTA FINE TEXTURES



ALESTA MINERAL SERIES



Accessories & OPTIONS

Our Lift solutions offer a variety of options in terms of different accessories and finishes, door models, and safety features. You can adapt your lift to just about all kinds of architectural styles and requirements. The prefabricated shaft can be delivered in any of 248 RAL colours or in glass (including the machinery side).

DOOR OPTIONS



TINTED GLASS

Tinted glass allows you control of the incoming light and works especially well with our 360 degree panoramic glass shafts that lets in maximum natural light.



As standard our lift comes with a shaft in steel panels, order it in any RAL-colour to match the surroundings, and/or change it to glass panels, with different effects; clear glass, frosted or many other effects.



If the lift is installed without recess, the lift can be entered by a ramp. Cibes Lifts provides a ramp in aluminum.

PANEL OPTIONS



Glass panels



Steel panels



Aluminum panels



Mixed steel and glass panels

LIGHTING



Shaft ceiling can be equipped with different types of lighting options such as LED spotlights or fluorescent lighting.

CALL BUTTONS



The standard call button with its generous ergonomic shape is easy to handle for all users, including senior citizens, children and the disabled.

LEVEL INDICATOR



Level indicator is a possible option both inside the lift and outside on the shaft door.

COMMUNICATION & LOCKING SYSTEMS

Choose from several communication systems and locking systems on the platform.



1



2



3



4



5



6

Doors to rooms and departments, in commercial buildings or private residents requires individual locking systems that gives restricted access only to authorized persons. For this purposes Cibes Lifts offers locking solutions as option with:

1. RFID Tag
2. Finger scan
3. Code lock
4. Push button for outdoor
5. An elbow button is used to facilitate the use of automatic door openers with or instead of a call button on the front door and placed in a suitable location for user
6. Intercom



Your lift YOUR DESIGN



Installed in a Private Home MODEL VOYAGER AURORA SERIES



Perfect Fit for Any
SPACE



Installed in a Private Home

MODEL CIBES CLASSIC LIFT



Changeable LIGHTING



Installed in a Private Home

MODEL VOYAGER GALAXY SERIES



Match Your INTERIOR



Installed in a Private Home

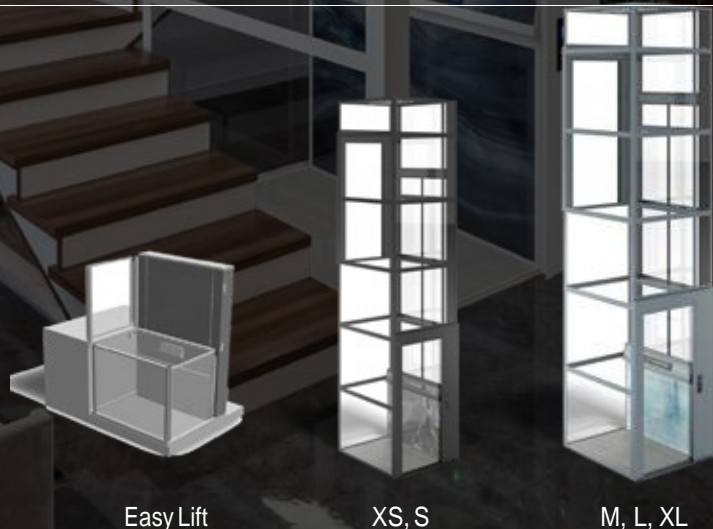
MODEL CIBES CLASSIC LIFT



TECHNICAL SPECIFICATIONS

MODEL	CIBES CLASSIC	VOYAGER	EASY LIFT
Location	Indoor	Indoor / Outdoor	Indoor / Outdoor
Rated Load	300 kg / 400kg / 500kg	300kg / 400 kg / 500 kg	385 kg
Min. Headroom at top landing	2250 mm / 7' 4 9/16"	2250 mm / 7' 4 9/16"	2250 mm / 7' 4 9/16"
Pit	50 mm / 1 15/16"	50 mm / 1 15/16"	50 mm / 1 15/16"
Max number of stops	6	6	2
Travel speed	Max 0.15 m/s / 29.52 ft/m	Max 0.15 m/s / 29.52 ft/m	Max 0.06m/s/Max 11.81ft/m
Standard shaft	Steel panels offwhite RAL 9016	Steel panels offwhite RAL 9016	RAL 9007 / Galvanized
Door configuration	Single-entry, open through, adjacent	Single-entry, open through, adjacent	Open through, adjacent
Doors	Single hinged doors or gates	Single hinged doors or gates	Saloon doors
Clear door opening sizes (hwxw)	2000 x 700 mm 6' 6 3/4" x 2' 3 9/16"	2000 x 900 mm 6' 6 3/4" x 2' 11 7/16"	1100 x 900 mm 3' 7 5/16" x 2' 11 7/16"
Clear door opening sizes gate (hwxw) (AC side)	1100/1200 x 700 mm 3' 7 5/16" x 3' 11 1/4" x 2' 3 9/16"	1100/1400/1500 x 900 mm 3' 7 5/16" x 4' 7 1/8" x 4' 11 1/16" x 2' 11 7/16"	-
Drive system	Screw-driven with safety nut	Screw-driven with safety nut	Screw-driven with safety nut
Control system	Micro computer based Canbus system	Micro computer based Canbus system	-
Standard power supply	230VAC 1-phase 230VAC/400 VAC 3-phase	230VAC 1-phase 230VAC/400 VAC 3-phase	230VAC 1-phase 230VAC/400 VAC 3-phase
Rated motor power	2.2kW / 4.0kW	2.2kW / 4.0kW	1.5kW
Machine room	No	No	Integrated
Complies with	EN 81-41 / MD 2006/42/ EC	EN 81-41 / MD 2006/42/ EC	MD 2006/12/EC
Manufactured in	Sweden	Sweden	Sweden
Accessibility			

1. Glazed shaft as option
2. Open through door
3. Adjacent door



EXAMPLE OF DIFFERENT CONFIGURATIONS



Gate, open through.
2 landings. *



Gate, single entry.
2 landings. *



Gate, single entry.
2 landings. *



Full height doors, single entry.
2 landings.



Full height doors,
open through. 2 landings. 2



Full height doors, adjacent.
landings.



Full height doors,
open through. 3 landings.



Full height doors, adjacent, open
through. 3 landings. 3



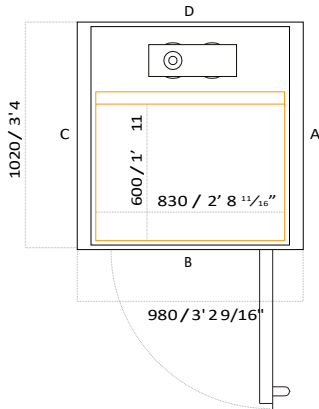
Full height doors, single entry.
landings.

Cibes Platform Sizes

*Special Order Only

CIBES PLATFORM LIFT - XS TYPE 1 (wxd) mm / ft

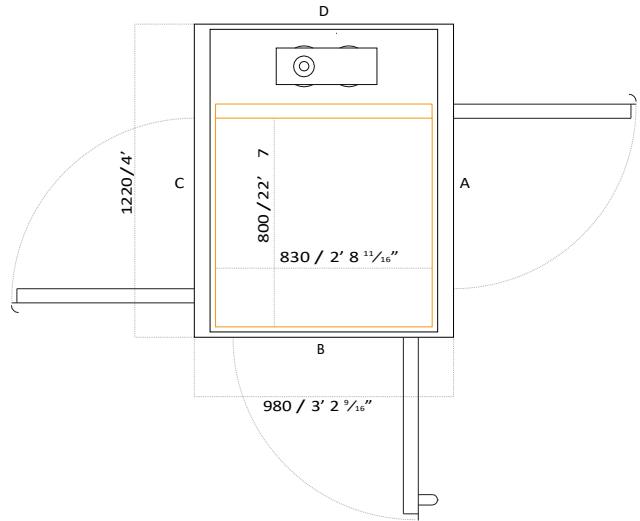
wxd metric	wxd imperial
Platform size: 600 x 830	Platform size: 1' 11 5/8" x 2' 8 11/16"
Finished size: 960 x 872	Finished size: 3' 11 3/16" x 2' 10 9/16"
Cut out size: 1020 x 980	Cut out size: 3' 4 3/16" x 3' 2 9/16"



Door Opening Width (mm/ft)		
Door Type	Side A/C	Side B
AL5/AL6 (aluminium)	/	650 / 2' 1 9/16"
EI60/EI60G (fire proof)	/	/
A15/A25 (half gate)	/	/

CIBES PLATFORM LIFT - S TYPE 1 (wxd) mm / ft

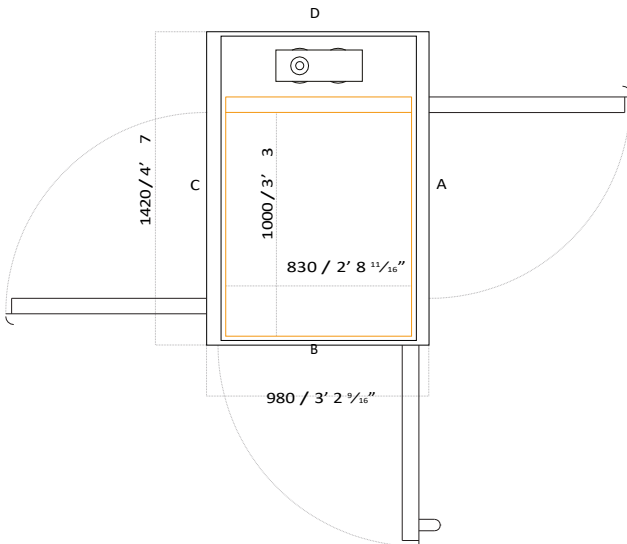
wxd metric	wxd imperial
Platform size: 800 x 830	Platform size: 2' 7 1/2" x 2' 8 1/16"
Finished size: 1160 x 872	Finished size: 3' 9 11/16" x 2' 10 5/16"
Cut out size: 1220 x 980	Cut out size: 4' 1/16" x 3' 2 9/16"



Door Opening Width (mm/ft)		
Door Type	Side A/C	Side B
AL5/AL6 (aluminium)	700 / 2' 3 9/16"	650 / 2' 1 9/16"
EI60/EI60G (fire proof)	700 / 2' 3 9/16"	/
A15/A25 (half gate)	700 / 2' 3 9/16"	/

CIBES PLATFORM LIFT - S TYPE 2 (wxd) mm / ft

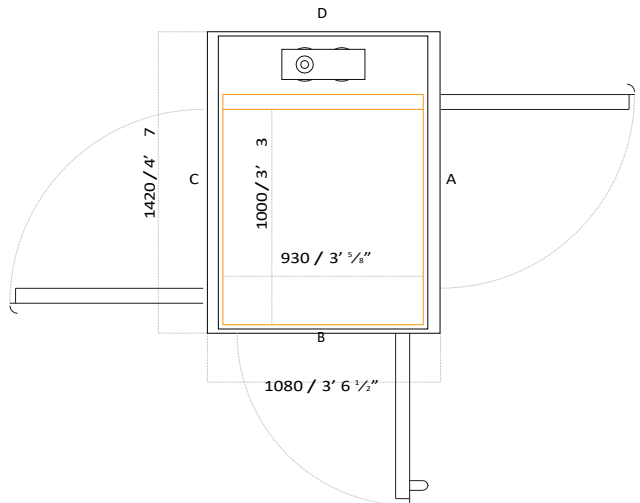
wxd metric	wxd imperial
Platform size: 1000 x 830	Platform size: 3' 3 3/8" x 2' 8 1/16"
Finished size: 1360 x 872	Finished size: 4' 5 9/16" x 2' 10 5/16"
Cut out size: 1420 x 980	Cut out size: 4' 7 7/8" x 3' 2 9/16"



Door Opening Width (mm/ft)		
Door Type	Side A/C	Side B
AL5/AL6 (aluminium)	900 / 2' 11 7/16"	650 / 2' 1 9/16"
EI60/EI60G (fire proof)	900 / 2' 11 7/16"	/
A15/A25 (half gate)	900 / 2' 11 7/16"	/

CIBES PLATFORM LIFT - S TYPE 3 (wxd) mm / ft

wxd metric	wxd imperial
Platform size: 1000 x 930	Platform size: 3' 3 3/8" x 3' 5/8"
Finished size: 1360 x 972	Finished size: 4' 5 9/16" x 3' 2 1/4"
Cut out size: 1420 x 1080	Cut out size: 4' 7 7/8" x 3' 6 1/2"

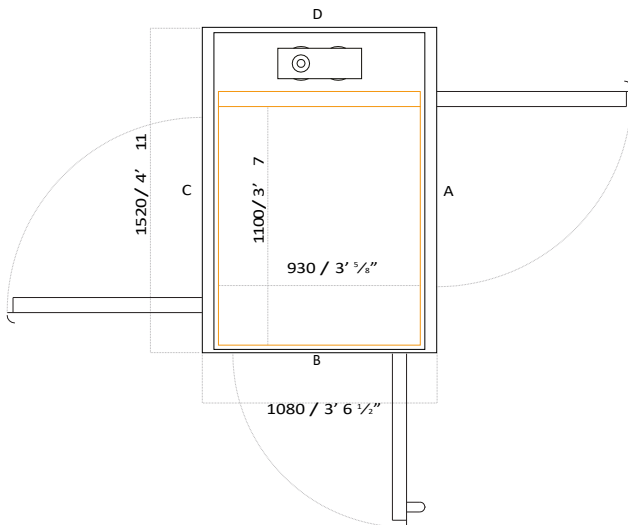


Door Opening Width (mm/ft)		
Door Type	Side A/C	Side B
AL5/AL6 (aluminium)	900 / 2' 11 7/16"	750 / 2' 5 1/2"
EI60/EI60G (fire proof)	900 / 2' 11 7/16"	/
A15/A25 (half gate)	900 / 2' 11 7/16"	/

Cibes Platform Sizes

CIBES PLATFORM LIFT - S TYPE 4 (wxd) mm / ft

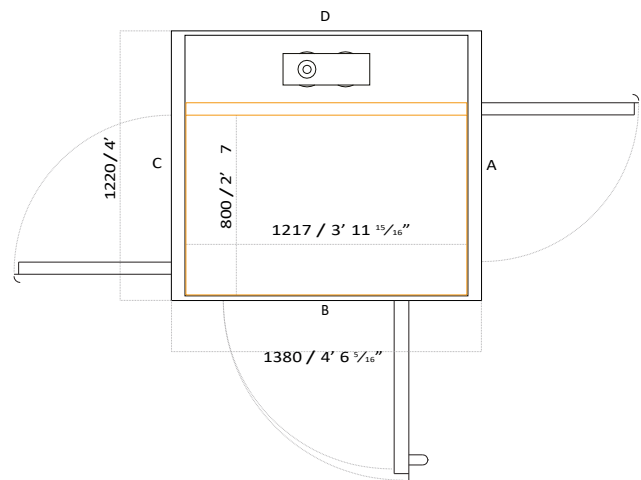
wxd metric	wxd imperial
Platform size: 1100 x 930	Platform size: 3' 7 5/16" x 3' 5/8"
Finished size: 1460 x 972	Finished size: 4' 9 1/2" x 3' 2 1/4"
Cut out size: 1520 x 1080	Cut out size: 4' 11 13/16" x 3' 6 1/2"



Door Opening Width (mm/ft)		
Door Type	Side A/C	Side B
AL5/AL6 (aluminium)	900 / 2' 11 7/16"	750 / 2' 5 1/2"
EI60/EI60G (fire proof)	900 / 2' 11 7/16"	/
A15/A25 (half gate)	900 / 2' 11 7/16"	/

CIBES PLATFORM LIFT - M TYPE 1 (wxd) mm / ft

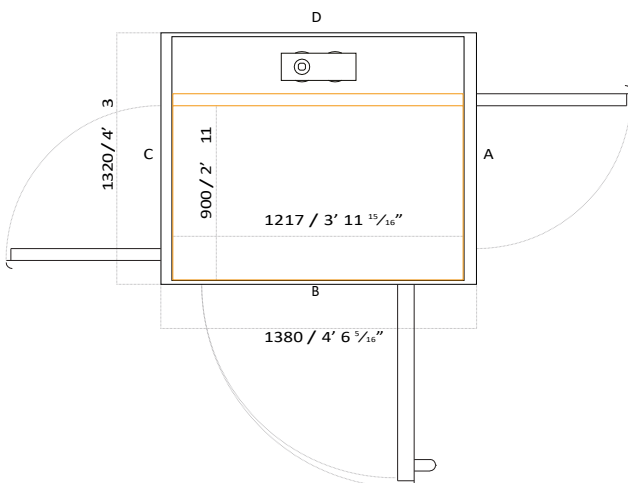
wxd metric	wxd imperial
Platform size: 800 x 1217	Platform size: 2' 7 1/2" x 3' 11 15/16"
Finished size: 1160 x 1259	Finished size: 3' 9 11/16" x 4' 1 9/16"
Cut out size: 1220 x 1380	Cut out size: 4' 1/16" x 4' 6 5/16"



Door Opening Width (mm/ft)		
Door Type	Side A/C	Side B
AL5/AL6 (aluminium)	700 / 2' 3 9/16"	800 / 2' 7 1/2"
EI60/EI60G (fire proof)	700 / 2' 3 9/16"	750 / 2' 5 1/2"
A15/A25 (half gate)	700 / 2' 3 9/16"	750 / 2' 5 1/2"

CIBES PLATFORM LIFT - M TYPE 2 (wxd) mm / ft

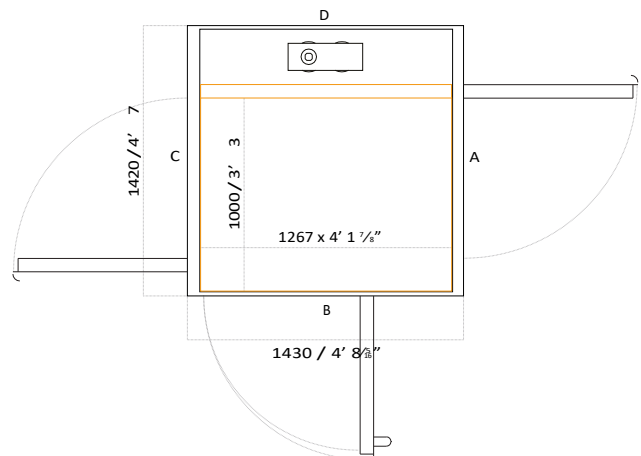
wxd metric	wxd imperial
Platform size: 900 x 1217	Platform size: 2' 11 7/16" x 3' 11 5/16"
Finished size: 1260 x 1259	Finished size: 4' 1 5/8" x 4' 1 9/16"
Cut out size: 1320 x 1380	Cut out size: 4' 3 15/16" x 4' 6 5/16"



Door Opening Width (mm/ft)		
Door Type	Side A/C	Side B
AL5/AL6 (aluminium)	800 / 2' 7 1/2"	800 / 2' 7 1/2"
EI60/EI60G (fire proof)	800 / 2' 7 1/2"	750 / 2' 5 1/2"
A15/A25 (half gate)	800 / 2' 7 1/2"	750 / 2' 5 1/2"

CIBES PLATFORM LIFT - M TYPE 3 (wxd) mm / ft

wxd metric	wxd imperial
Platform size: 1000 x 1267	Platform size: 3' 3 3/8" x 4' 1 7/8"
Finished size: 1360 x 1309	Finished size: 4' 5 9/16" x 4' 3 9/16"
Cut out size: 1420 x 1430	Cut out size: 4' 7 7/8" x 4' 8 5/16"

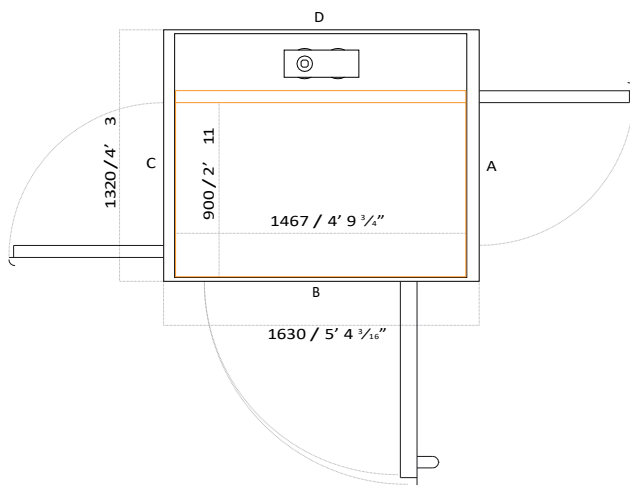


Door Opening Width (mm/ft)		
Door Type	Side A/C	Side B
AL5/AL6 (aluminium)	900 / 2' 11 7/16"	850 / 2' 9 7/16"
EI60/EI60G (fire proof)	900 / 2' 11 7/16"	800 / 2' 7 1/2"
A15/A25 (half gate)	900 / 2' 11 7/16"	800 / 2' 7 1/2"

Cibes Platform Sizes

CIBES PLATFORM LIFT - L TYPE 1 (wxd) mm / ft

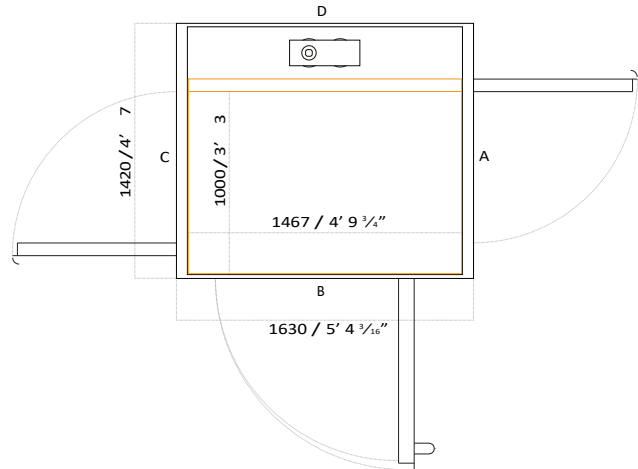
wxd metric	wxd imperial
Platform size: 900 x 1467	Platform size: 2' 11 ⁷ / ₁₆ " x 4' 9 ³ / ₄ "
Finished size: 1260 x 1509	Finished size: 4' 1 ⁵ / ₈ " x 4' 11 ⁷ / ₁₆ "
Cut out size: 1320 x 1630	Cut out size: 4' 3 ¹⁵ / ₁₆ " x 5' 4 ³ / ₁₆ "



Door Opening Width (mm/ft)		
Door Type	Side A/C	Side B
AL5/AL6 (aluminium)	800 / 2' 7 ¹ / ₂ "	1050 / 3' 5 ⁵ / ₁₆ "
E160/E160G (fire proof)	800 / 2' 7 ¹ / ₂ "	1000 / 3' 3 ³ / ₈ "
A15/A25 (half gate)	800 / 2' 7 ¹ / ₂ "	1000 / 3' 3 ³ / ₈ "

CIBES PLATFORM LIFT - L TYPE 2 (wxd) mm / ft

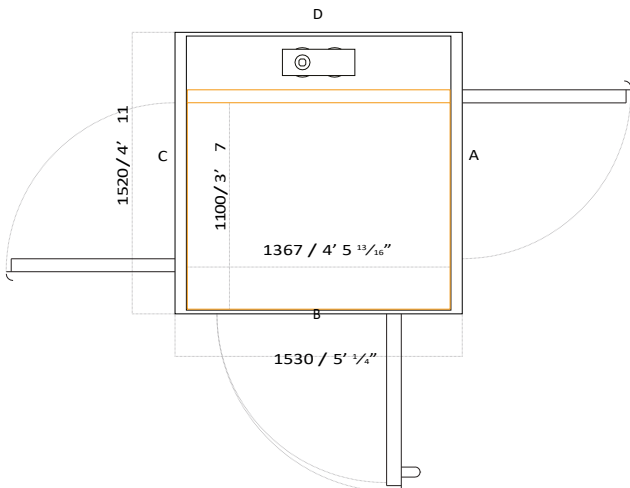
wxd metric	wxd imperial
Platform size: 1000 x 1467	Platform size: 3' 3 ³ / ₈ " x 4' 9 ³ / ₄ "
Finished size: 1360 x 1509	Finished size: 4' 5 ⁹ / ₁₆ " x 4' 11 ⁷ / ₁₆ "
Cut out size: 1420 x 1630	Cut out size: 4' 7 ⁷ / ₈ " x 5' 4 ³ / ₁₆ "



Door Opening Width (mm/ft)		
Door Type	Side A/C	Side B
AL5/AL6 (aluminium)	900 / 2' 11 ⁷ / ₁₆ "	1050 / 3' 5 ⁵ / ₁₆ "
E160/E160G (fire proof)	900 / 2' 11 ⁷ / ₁₆ "	1000 / 3' 3 ³ / ₈ "
A15/A25 (half gate)	900 / 2' 11 ⁷ / ₁₆ "	1000 / 3' 3 ³ / ₈ "

CIBES PLATFORM LIFT - L TYPE 3 (wxd) mm / ft

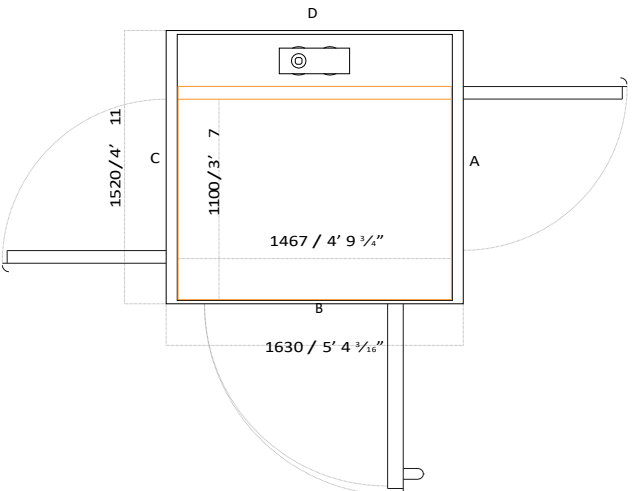
wxd metric	wxd imperial
Platform size: 1100 x 1367	Platform size: 3' 7 ⁵ / ₁₆ " x 4' 5 ⁹ / ₁₆ "
Finished size: 1460 x 1409	Finished size: 4' 9 ¹ / ₂ " x 4' 7 ¹ / ₂ "
Cut out size: 1520 x 1530	Cut out size: 4' 11 ¹³ / ₁₆ " x 5' 1 ¹ / ₄ "



Door Opening Width (mm/ft)		
Door Type	Side A/C	Side B
AL5/AL6 (aluminium)	900 / 2' 11 ⁷ / ₁₆ "	950 / 3' 1 ³ / ₈ "
E160/E160G (fire proof)	900 / 2' 11 ⁷ / ₁₆ "	900 / 2' 11 ⁷ / ₁₆ "
A15/A25 (half gate)	900 / 2' 11 ⁷ / ₁₆ "	900 / 2' 11 ⁷ / ₁₆ "

CIBES PLATFORM LIFT - L TYPE 4 (wxd) mm / ft

wxd metric	wxd imperial
Platform size: 1100 x 1467	Platform size: 3' 7 ⁵ / ₁₆ " x 4' 9 ³ / ₄ "
Finished size: 1460 x 1509	Finished size: 4' 9 ¹ / ₂ " x 4' 11 ⁷ / ₁₆ "
Cut out size: 1520 x 1630	Cut out size: 4' 11 ¹³ / ₁₆ " x 5' 4 ³ / ₁₆ "

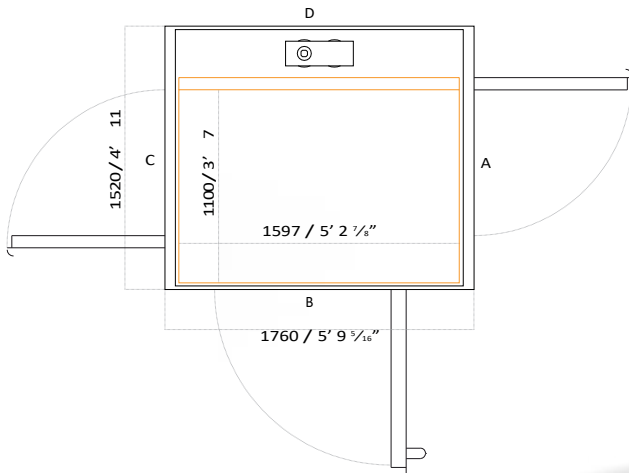


Door Opening Width (mm/ft)		
Door Type	Side A/C	Side B
AL5/AL6 (aluminium)	900 / 2' 11 ⁷ / ₁₆ "	1050 / 3' 5 ⁵ / ₁₆ "
E160/E160G (fire proof)	900 / 2' 11 ⁷ / ₁₆ "	1000 / 3' 3 ³ / ₈ "
A15/A25 (half gate)	900 / 2' 11 ⁷ / ₁₆ "	1000 / 3' 3 ³ / ₈ "

Cibes Platform Sizes

CIBES PLATFORM LIFT - XL TYPE 1 (wxd) mm / ft

wxd metric	wxd imperial
Platform size: 1100 x 1597	Platform size: 3' 7 5/16" x 5' 2 7/8"
Finished size: 1460 x 1639	Finished size: 4' 9 1/2" x 5' 4 1/2"
Cut out size: 1520 x 1760	Cut out size: 4' 11 13/16" x 5' 9 5/16"



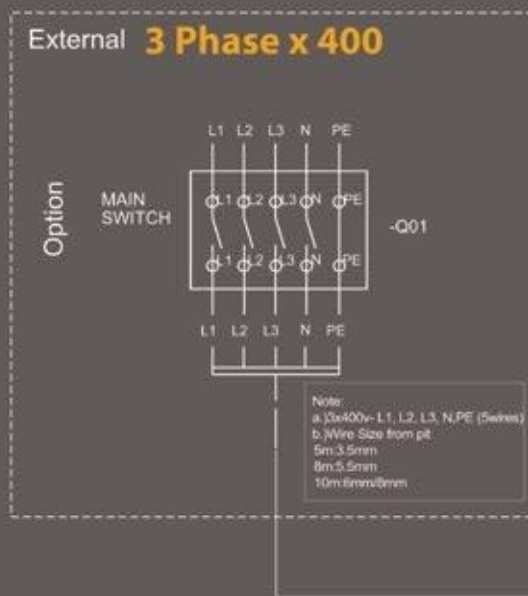
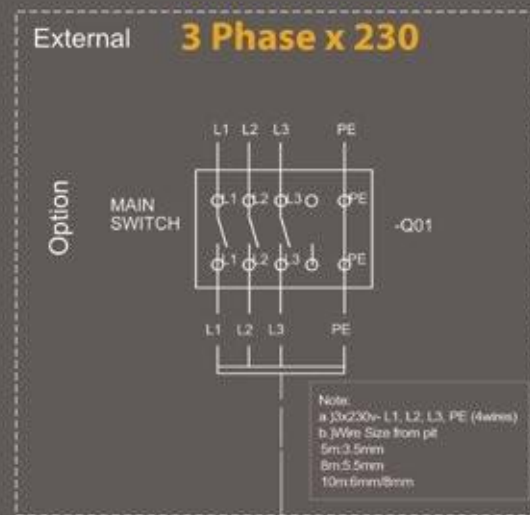
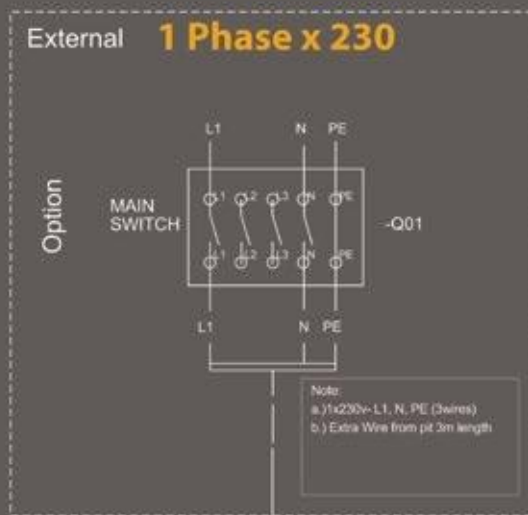
Door Opening Width (mm/ft)		
Door Type	Side A/C	Side B
AL5/AL6 (aluminium)	900 / 2' 11 7/16"	1050 / 3' 5 5/16"
EI60/EI60G (fire proof)	900 / 2' 11 7/16"	/
A15/A25 (half gate)	900 / 2' 11 7/16"	/



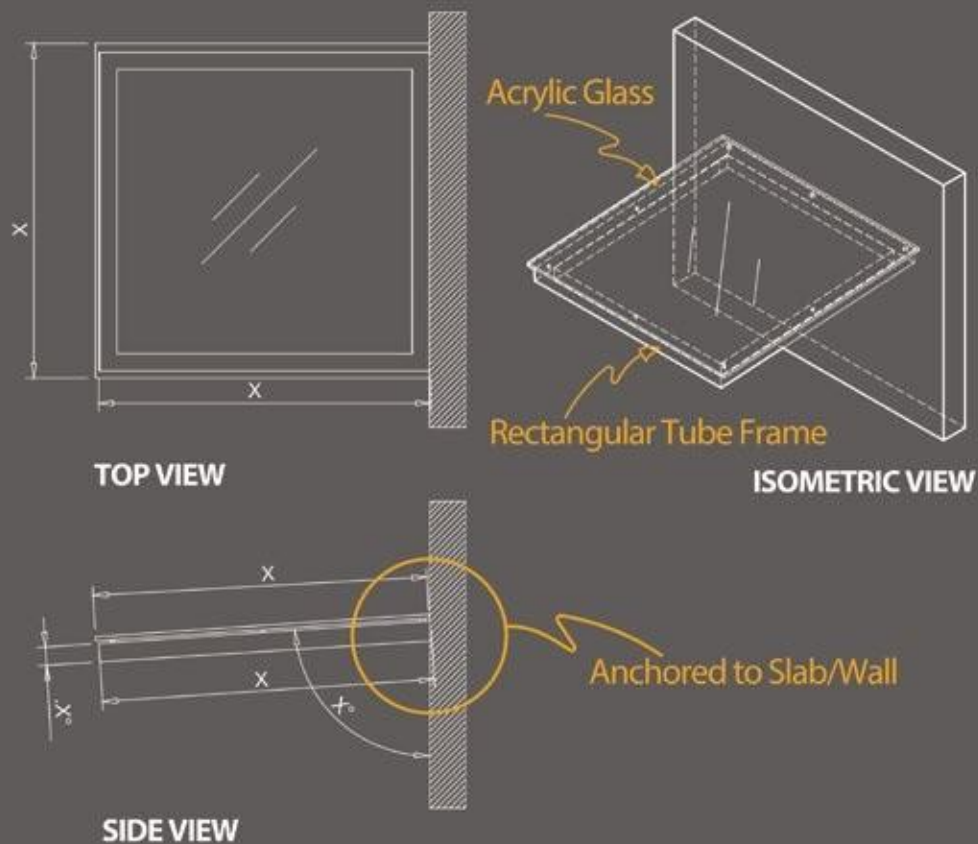
SIZE OPTIONS

Size	Platform Size				Shaft Size				Cutout Size			
	Metric		Imperial		Metric		Imperial		Metric		Imperial	
	Width	Depth	Width	Depth	Width	Depth	Width	Depth	Width	Depth	Width	Depth
XS	600	830	1' 11 5/8"	2' 8 11/16"	960	872	3' 1 13/16"	2' 10 5/16"	1020	980	3' 4 3/16"	3' 2 9/16"
S	800	830	2' 7 1/2"	2' 8 11/16"	1160	872	3' 9 11/16"	2' 10 5/16"	1220	980	4' 1/16"	3' 2 9/16"
S	1000	830	3' 3 3/8"	2' 8 11/16"	1360	872	4' 5 9/16"	2' 10 5/16"	1420	980	4' 7 7/8"	3' 2 9/16"
S	1000	930	3' 3 3/8"	3' 5/8"	1360	972	4' 5 9/16"	3' 2 1/4"	1420	1080	4' 7 7/8"	3' 6 1/2"
S	1100	930	3' 7 5/16"	3' 5/8"	1460	972	4' 9 1/2"	3' 2 1/4"	1520	1080	4' 11 13/16"	3' 6 1/2"
M	800	1217	2' 7 1/2"	3' 11 15/16"	1160	1259	3' 9 11/16"	4' 1 9/16"	1220	1380	4' 1/16"	4' 6 5/16"
M	900	1217	2' 11 7/16"	3' 11 15/16"	1260	1259	4' 1 5/8"	4' 1 9/16"	1320	1380	4' 3 15/16"	4' 6 5/16"
M	1000	1267	3' 3 3/8"	4' 1 7/8"	1360	1309	4' 5 9/16"	4' 3 9/16"	1420	1430	4' 7 7/8"	4' 8 5/16"
L	1100	1367	3' 7 5/16"	4' 5 13/16"	1460	1409	4' 9 1/2"	4' 7 1/2"	1520	1530	4' 11 13/16"	5' 1/4"
L	900	1467	2' 11 7/16"	4' 9 3/4"	1260	1509	4' 1 5/8"	4' 11 7/16"	1320	1630	4' 3 15/16"	5' 4 3/16"
L	1000	1467	3' 3 3/8"	4' 9 3/4"	1360	1509	4' 5 9/16"	4' 11 7/16"	1420	1630	4' 7 7/8"	5' 4 3/16"
L	1100	1467	3' 7 5/16"	4' 9 3/4"	1460	1509	4' 9 1/2"	4' 11 7/16"	1520	1630	4' 11 13/16"	5' 4 3/16"
XL	1100	1597	3' 7 5/16"	5' 2 7/8"	1460	1639	4' 9 1/2"	5' 4 1/2"	1520	1760	4' 11 13/16"	5' 9 5/16"

Electrical LAYOUT



Suggested outdoor ROOF DESIGN



Order PROCESSING



1. Signing of contract
2. Order confirmatio
3. Order intake will be sent to factory when site is 50% ready
4. Production 3-4 month
5. Departure from factory

4-5 MONTHS TO INSTALLATION



SWEDEN >> IINDONESIA

After Sales & MAINTENANCE

We offer lift maintenance care plans based on the date of your lift installation. A group of technicians will be dispatched to your house to provide regular maintenance services including lubricating the guides, adding oil to rail lubricator, and checking parts such as limit switches, safety nuts, door, safety contacts on the door, and emergency devices.

What do we do?

- Check Entire Lift function
- Check Drive & Guides
- Lubrication & Belt Check & Oil Check
- Check Door Safety
- Check Platform safety
- Check overall lift safety
- Check lighting and Emergency functions
- Check general wiring & Technical aspects

Why we do it?

- Regular checking keeps your lift in good condition
- Keeps your passengers safe
- 2 times per year for Indoor Home lifts
- 4 times per year for Indoor Commercial lifts
- Regular lubrication keeps your lift ride smooth
- Use Cibes Genuine products





Factory in Gävle SWEDEN

INTERNATIONAL EXPANSION

In 1997, Cibes began exporting low-speed lifts to countries outside Scandinavia. The western world was recovering from recession and, although the market was weak. Cibes exported to an increasing number of countries while a network of distributors was built up. In the mid-2000s, international ventures intensified when Cibes carried out several company acquisitions and later also formed subsidiary companies in a number of countries.

Cibes Lift growth with an increasing number of partners took place as the need for accessibility solutions spread around the world. The distribution of the partner network clearly shows that requirements for accessibility and the need for low speed lifts are an issue in an increasing number of countries. This has also resulted in a partnership network which, in 2019, comprised just over 200 partners in some 50 countries.



CIBES IN INDONESIA

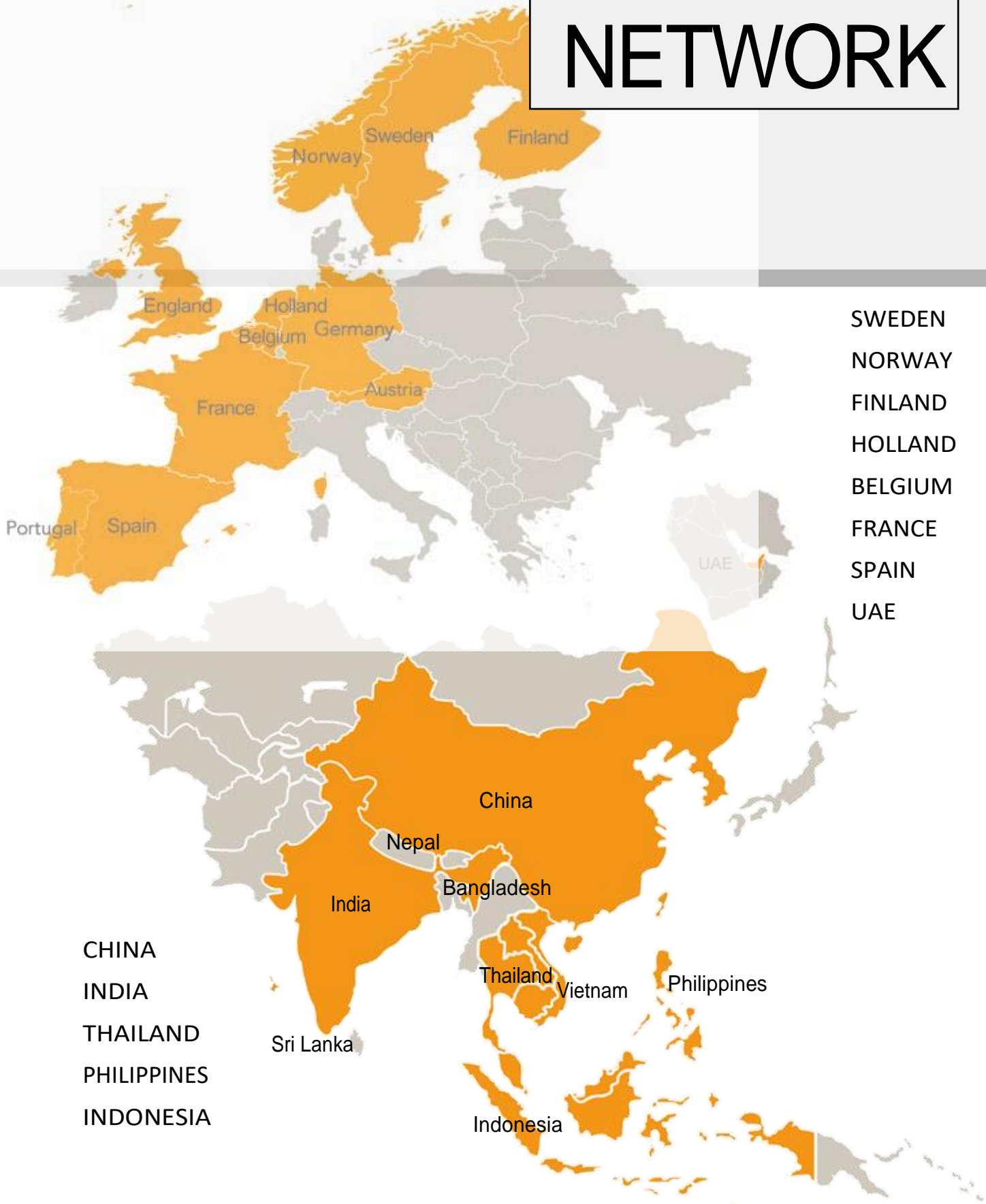
In 2015, Cibes entered the Indonesia market for the first time, as the only international player in the market offering factory-direct lifts to its customers. Through its main office in Jakarta, and support staff across the country, Cibes Indonesia already provides full national coverage, and is quickly growing with the goal of becoming the country's number one provider of premium home lift solutions.

LOGOS DEVELOPMENT 1947 - 2020

A company does not become as old as we are without constant development and real commitment to a business concept that has grown ever stronger over more than 70 years. Our development of low-speed lifts improve accessibility and comfort for millions of people worldwide.



Global direct sales NETWORK



SWEDEN
NORWAY
FINLAND
HOLLAND
BELGIUM
FRANCE
SPAIN
UAE

CHINA
INDIA
THAILAND
PHILIPPINES
INDONESIA



Cibes

Scandinavian Design & Swedish Quality