

Cibēs



Cibes Lift – Voyager V80

TECHNICAL SPECIFICATIONS

CIBES LIFT –VOYAGER V80

MAIN TECHNICAL PARAMETERS:

- › **Brand:** Cibes
- › **Products name:** Voyager V80
- › **Products series:** Elegance, Comfort, Aurora, Galaxy, Limited Edition
- › **Installation location:** Indoor and outdoor
- › **Load weight:** 300 kg,400 kg
- › **Power supply:** 220V or 380V (different requirements per traveling height)
- › **Minimum height of top floor:** 2300mm (1300mm half height door is an option)
- › **Bottom pit requirements:** 50-70mm
- › **Product standard:** MD 2006/42/EC, en81-41, certified by SIL3
- › **Drive mode:** Screw drive control
- › **Rated power:** 1500W
- › **Machine room requirements:** Own integrated machine room
- › **Max. number of stops:** 6 floors
- › **Door opening direction:** Flexible choice for 3 sides
- › **Safety device:** Including automatic flat layer device for power failure emergency; Overload alarm device; Emergency communication device; Electronic and mechanical safety layer door protection system; Safety touch edge protection device in the platform; Can be connected to fire alarm device, etc.
- › **Shaft Option:** Double-sided laminated glass or sandwich Steel panel

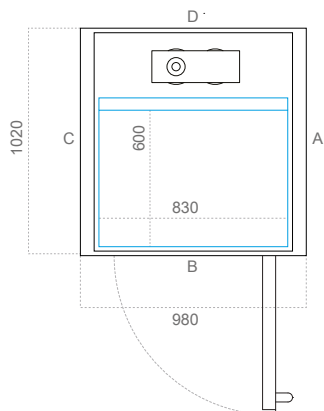
NOTE: The above dimensions are for reference, take a final size per final site measurement.

L=LENGTH: Perpendicular to machine room. **W=WIDTH:** Parallel to machine room.

Size	Platform (mm)		Shaft Size (mm)		Cut out size (mm)	
	Length	Width	Length	Width	Length	Width
XS	600	830	960	872	1020	980
S	800	830	1160	872	1220	980
S*	900	830	1260	872	1320	980
S	1000	830	1360	872	1420	980
S*	1100	830	1460	872	1520	980
S*	800	930	1160	972	1220	1080
S*	900	930	1260	972	1320	1080
S	1000	930	1360	972	1420	1080
S	1100	930	1460	972	1520	1080
M	800	1217	1160	1259	1220	1380
M	900	1217	1260	1259	1320	1380
M*	1000	1217	1360	1259	1420	1380
M*	1100	1217	1460	1259	1520	1380
M*	800	1267	1160	1309	1220	1430
M*	900	1267	1260	1309	1320	1430
M	1000	1267	1360	1309	1420	1430
M*	1100	1267	1460	1309	1520	1430
L*	800	1367	1160	1409	1220	1530
L*	900	1367	1260	1409	1320	1530
L	1100	1367	1460	1409	1520	1530
L*	800	1467	1160	1509	1220	1630
L	900	1467	1260	1509	1320	1630
L	1000	1467	1360	1509	1420	1630
L	1100	1467	1460	1509	1520	1630
XL	1100	1597	1460	1639	1520	1760

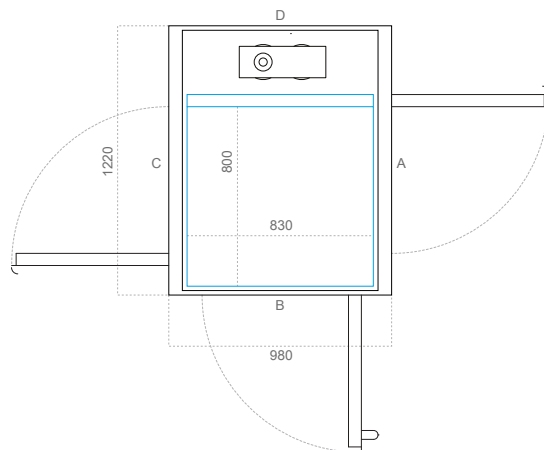
*Custom Size

XS	Size Option 1 (L x W) mm
Platform size	600 x 830
Finished size	960 x 872
Cut out size	1020 x 980



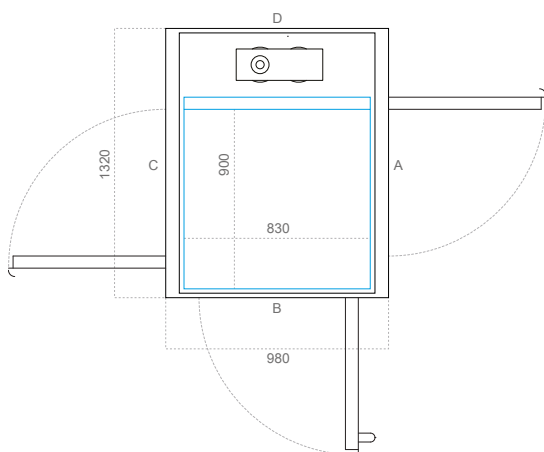
Door Opening Width (mm)		
Door Type	Side A/C	Side B
AL5/AL6 (aluminium)	/	650
EI60/EI60G (fire proof)	/	/
A15/A25 (half gate)	/	/

S	Size Option 1 (L x W) mm
Platform size	800 x 830
Finished size	1160 x 872
Cut out size	1220 x 980



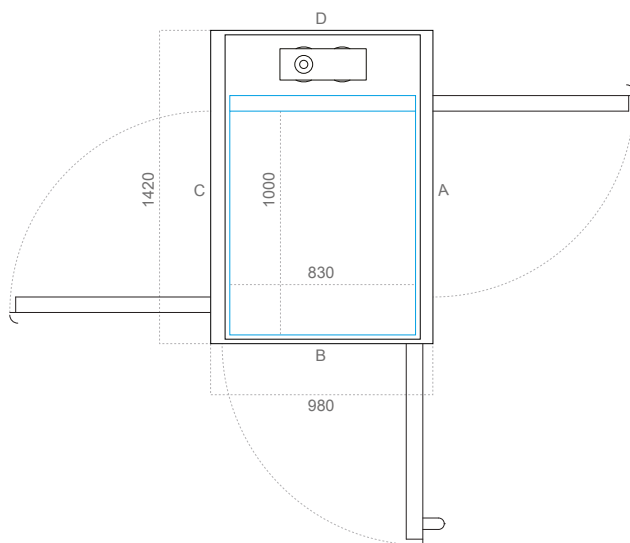
Door Opening Width (mm)		
Door Type	Side A/C	Side B
AL5/AL6 (aluminium)	700	650
EI60/EI60G (fire proof)	700	/
A15/A25 (half gate)	700	/

S	Special Customized Size Option 2 (L x W) mm
Platform size	900 x 830
Finished size	1260 x 872
Cut out size	1320 x 980



Door Opening Width (mm)		
Door Type	Side A/C	Side B
AL5/AL6 (aluminium)	800	650
EI60/EI60G (fire proof)	800	/
A15/A25 (half gate)	800	/

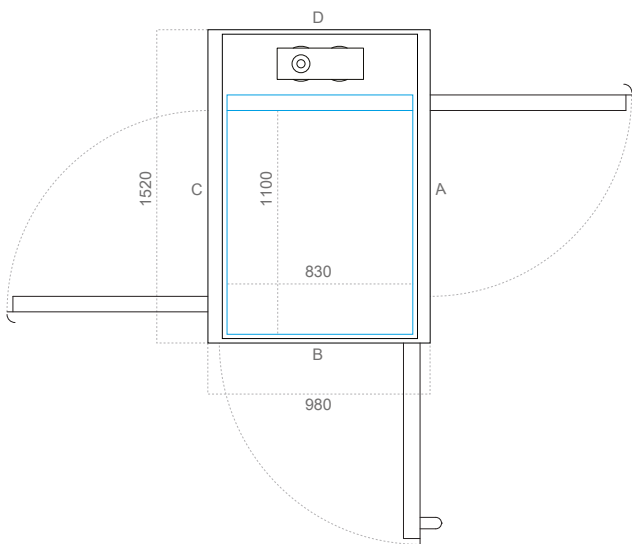
S	Size Option 3 (L x W) mm
Platform size	1000 x 830
Finished size	1360 x 872
Cut out size	1420 x 980



Door Opening Width (mm)		
Door Type	Side A/C	Side B
AL5/AL6 (aluminium)	900	650
EI60/EI60G (fire proof)	900	/
A15/A25 (half gate)	900	/

S Special Customized Size Option 4 (L x W) mm

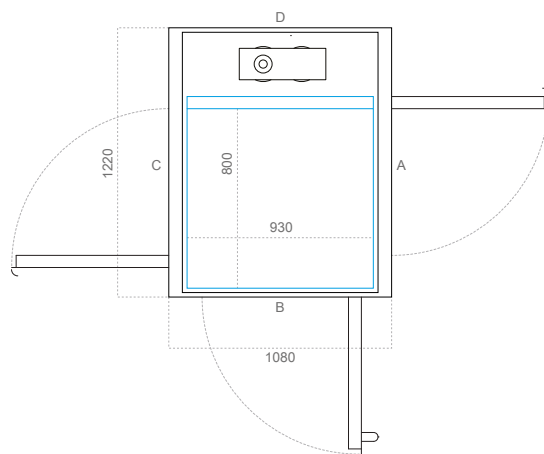
Platform size	1100 x 830
Finished size	1460 x 872
Cut out size	1520 x 980



Door Opening Width (mm)		
Door Type	Side A/C	Side B
AL5/AL6 (aluminium)	900	650
EI60/EI60G (fire proof)	900	/
A15/A25 (half gate)	900	/

S Special Customized Size Option 5 (L x W) mm

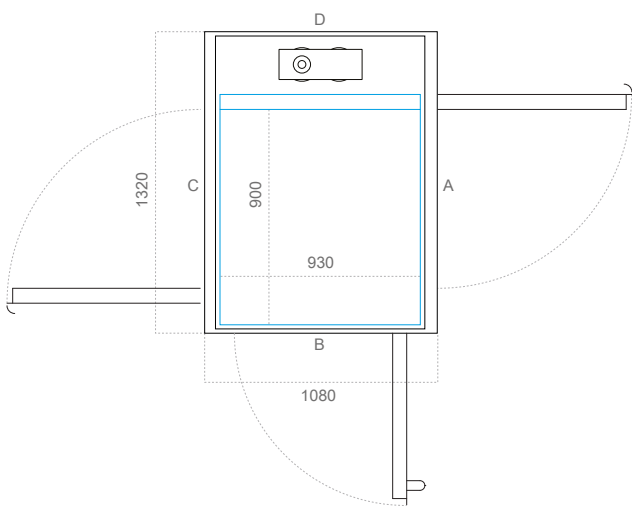
Platform size	800 x 930
Finished size	1160 x 972
Cut out size	1220 x 1080



Door Opening Width (mm)		
Door Type	Side A/C	Side B
AL5/AL6 (aluminium)	700	750
EI60/EI60G (fire proof)	700	/
A15/A25 (half gate)	700	/

S Special Customized Size Option 6 (L x W) mm

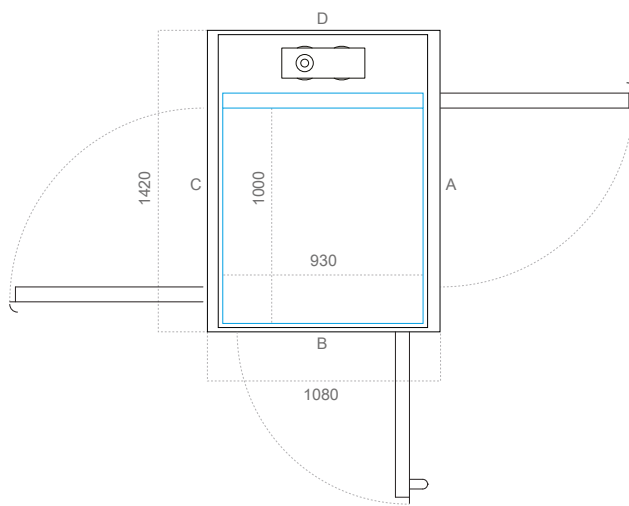
Platform size	900 x 930
Finished size	1260 x 972
Cut out size	1320 x 1080



Door Opening Width (mm)		
Door Type	Side A/C	Side B
AL5/AL6 (aluminium)	800	750
EI60/EI60G (fire proof)	800	/
A15/A25 (half gate)	800	/

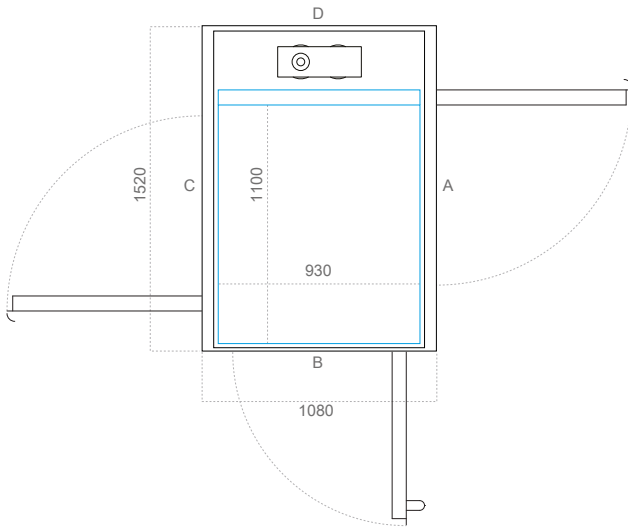
S Size Option 7 (L x W) mm

Platform size	1000 x 930
Finished size	1360 x 972
Cut out size	1420 x 1080



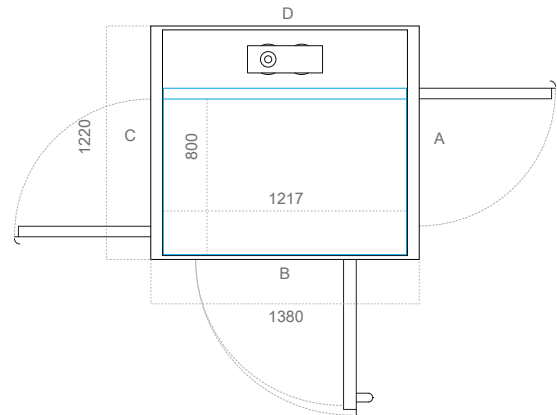
Door Opening Width (mm)		
Door Type	Side A/C	Side B
AL5/AL6 (aluminium)	900	750
EI60/EI60G (fire proof)	900	/
A15/A25 (half gate)	900	/

S	Size Option 8 (L x W) mm
Platform size	1100 x 930
Finished size	1460 x 972
Cut out size	1520 x 1080



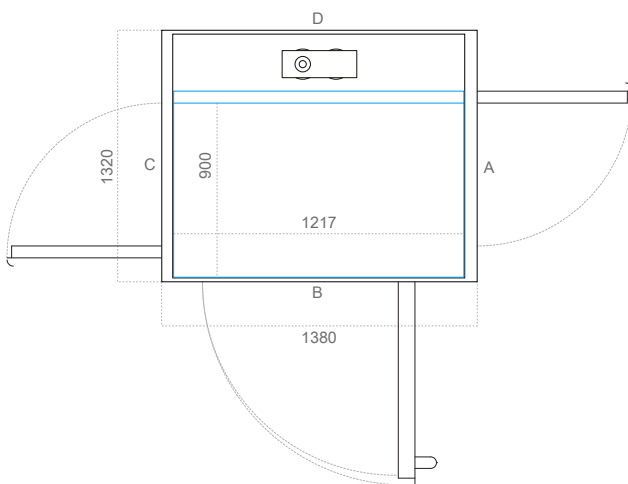
Door Opening Width (mm)		
Door Type	Side A/C	Side B
AL5/AL6 (aluminium)	900	750
EI60/EI60G (fire proof)	900	/
A15/A25 (half gate)	900	/

M	Size Option 1 (L x W) mm
Platform size	800 x 1217
Finished size	1160 x 1259
Cut out size	1220 x 1380



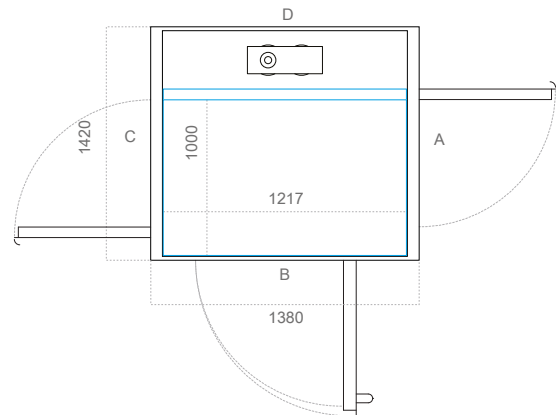
Door Opening Width (mm)		
Door Type	Side A/C	Side B
AL5/AL6 (aluminium)	700	800
EI60/EI60G (fire proof)	700	750
A15/A25 (half gate)	700	750

M	Size Option 2 (L x W) mm
Platform size	900 x 1217
Finished size	1260 x 1259
Cut out size	1320 x 1380



Door Opening Width (mm)		
Door Type	Side A/C	Side B
AL5/AL6 (aluminium)	800	800
EI60/EI60G (fire proof)	800	750
A15/A25 (half gate)	800	750

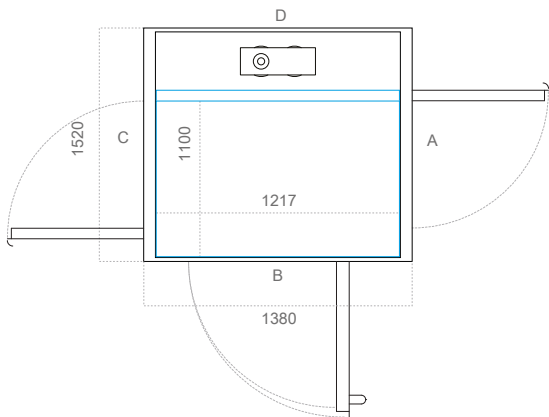
M	Special Customized Size Option 3 (L x W) mm
Platform size	1000 x 1217
Finished size	1360 x 1259
Cut out size	1420 x 1380



Door Opening Width (mm)		
Door Type	Side A/C	Side B
AL5/AL6 (aluminium)	900	800
EI60/EI60G (fire proof)	900	750
A15/A25 (half gate)	900	750

M Special Customized Size Option 4 (L x W) mm

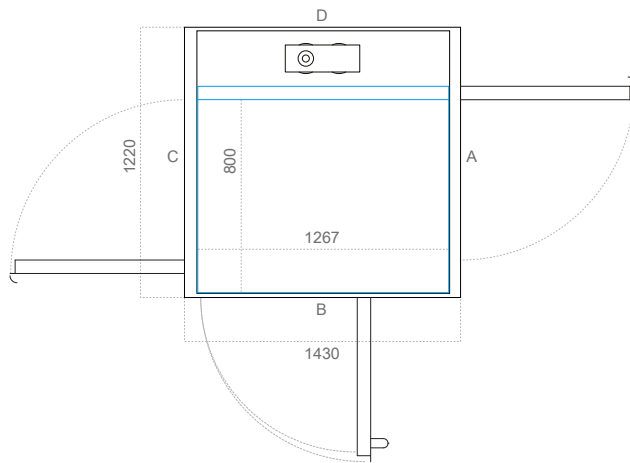
Platform size	1100 x 1217
Finished size	1460 x 1259
Cut out size	1520 x 1380



Door Opening Width (mm)		
Door Type	Side A/C	Side B
AL5/AL6 (aluminium)	900	800
E160/E160G (fire proof)	900	750
A15/A25 (half gate)	900	750

M Special Customized Size Option 5 (L x W) mm

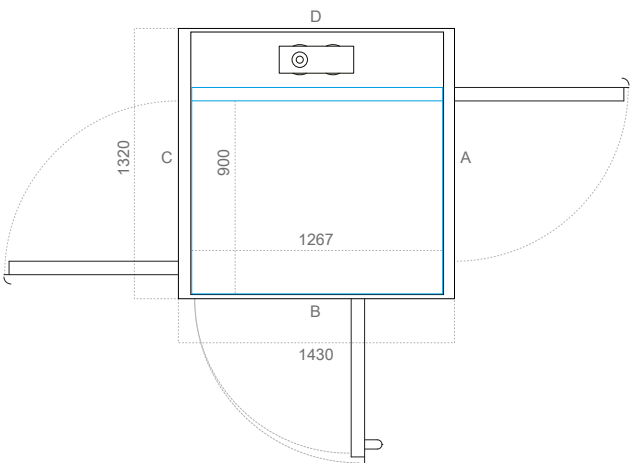
Platform size	800 x 1267
Finished size	1160 x 1309
Cut out size	1220 x 1430



Door Opening Width (mm)		
Door Type	Side A/C	Side B
AL5/AL6 (aluminium)	700	850
E160/E160G (fire proof)	700	800
A15/A25 (half gate)	700	800

M Special Customized Size Option 6 (L x W) mm

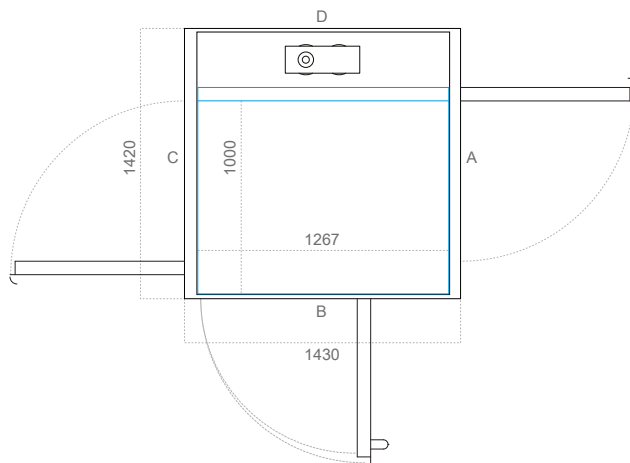
Platform size	900 x 1267
Finished size	1260 x 1309
Cut out size	1320 x 1430



Door Opening Width (mm)		
Door Type	Side A/C	Side B
AL5/AL6 (aluminium)	800	850
E160/E160G (fire proof)	800	800
A15/A25 (half gate)	800	800

M Size Option 7 (L x W) mm

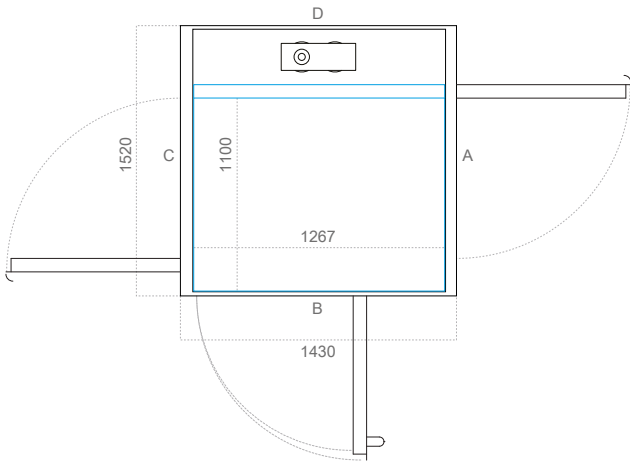
Platform size	1000 x 1267
Finished size	1360 x 1309
Cut out size	1420 x 1430



Door Opening Width (mm)		
Door Type	Side A/C	Side B
AL5/AL6 (aluminium)	900	850
E160/E160G (fire proof)	900	800
A15/A25 (half gate)	900	800

M Special Customized Size Option 8 (L x W) mm

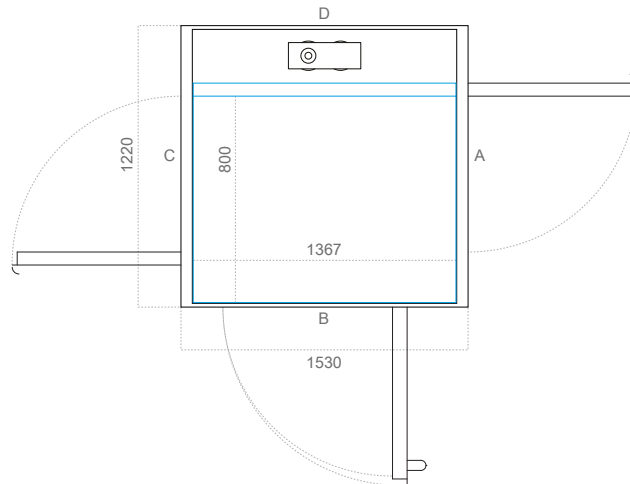
Platform size	1100 x 1267
Finished size	1460 x 1309
Cut out size	1520 x 1430



Door Opening Width (mm)		
Door Type	Side A/C	Side B
AL5/AL6 (aluminium)	900	850
E160/E160G (fire proof)	900	800
A15/A25 (half gate)	900	800

L Special Customized Size Option 1 (L x W) mm

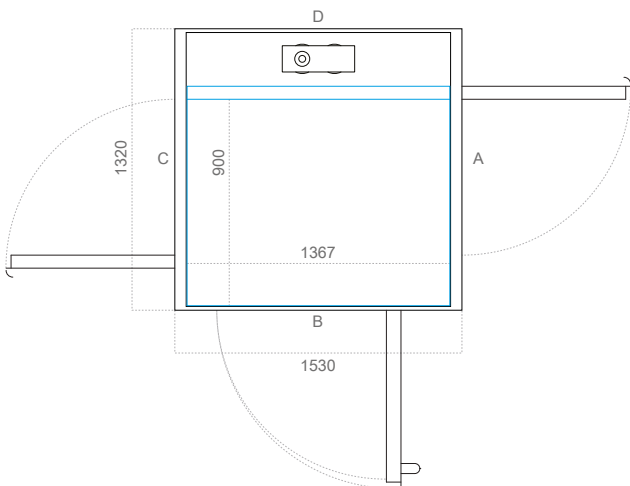
Platform size	800 x 1367
Finished size	1160 x 1409
Cut out size	1220 x 1530



Door Opening Width (mm)		
Door Type	Side A/C	Side B
AL5/AL6 (aluminium)	700	950
E160/E160G (fire proof)	700	900
A15/A25 (half gate)	700	900

L Special Customized Size Option 2 (L x W) mm

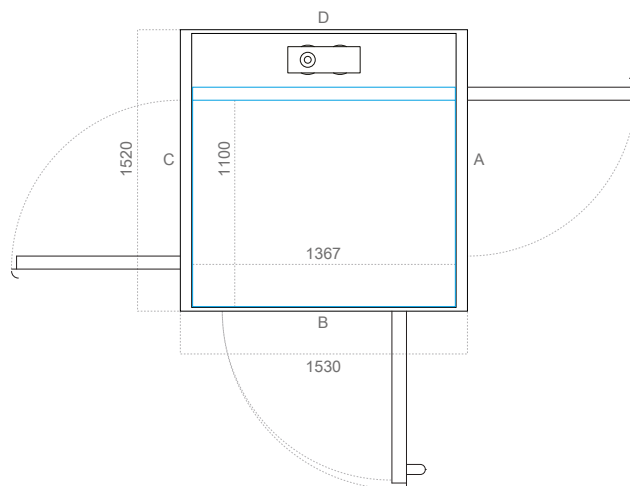
Platform size	900 x 1367
Finished size	1260 x 1409
Cut out size	1320 x 1530



Door Opening Width (mm)		
Door Type	Side A/C	Side B
AL5/AL6 (aluminium)	800	950
E160/E160G (fire proof)	800	900
A15/A25 (half gate)	800	900

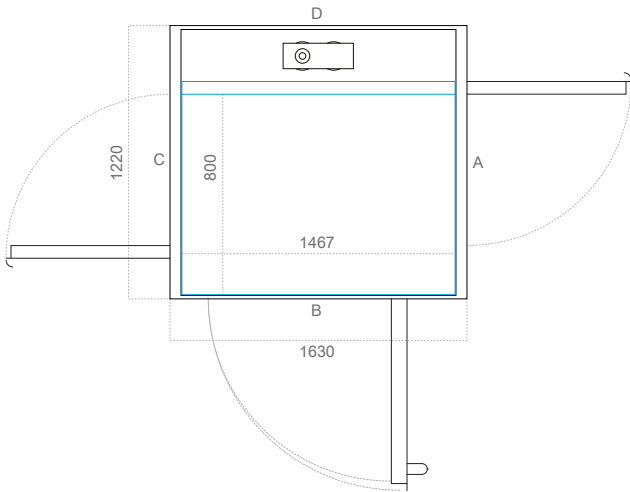
L Size Option 3 (L x W) mm

Platform size	1100 x 1367
Finished size	1460 x 1409
Cut out size	1520 x 1530



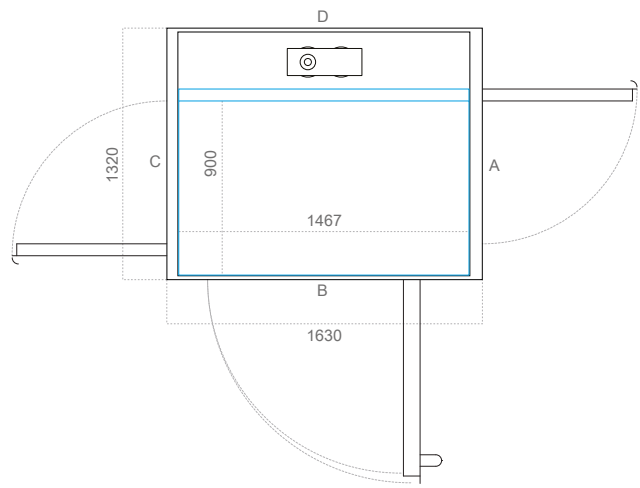
Door Opening Width (mm)		
Door Type	Side A/C	Side B
AL5/AL6 (aluminium)	900	950
E160/E160G (fire proof)	900	900
A15/A25 (half gate)	900	900

L Special Customized Size Option 4 (L x W) mm	
Platform size	800 x 1467
Finished size	1160 x 1509
Cut out size	1220 x 1630



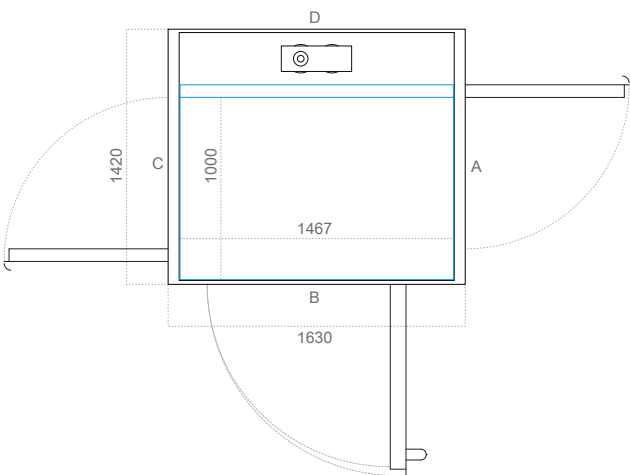
Door Opening Width (mm)		
Door Type	Side A/C	Side B
AL5/AL6 (aluminium)	700	1050
E160/E160G (fire proof)	700	1000
A15/A25 (half gate)	700	1000

L Size Option 5 (L x W) mm	
Platform size	900 x 1467
Finished size	1260 x 1509
Cut out size	1320 x 1630



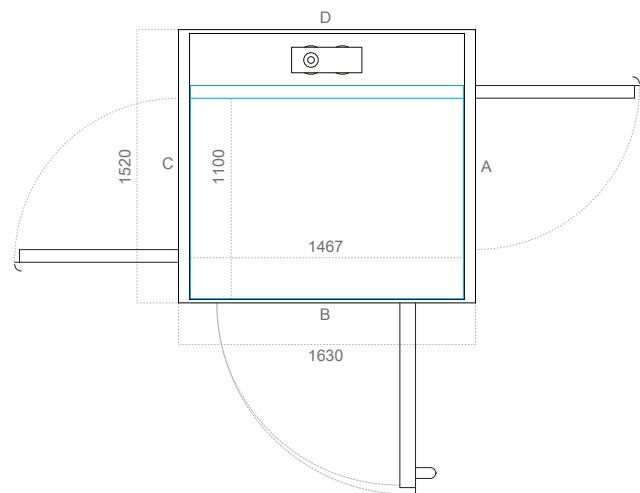
Door Opening Width (mm)		
Door Type	Side A/C	Side B
AL5/AL6 (aluminium)	800	1050
E160/E160G (fire proof)	800	1000
A15/A25 (half gate)	800	1000

L Size Option 6 (L x W) mm	
Platform size	1000 x 1467
Finished size	1360 x 1509
Cut out size	1420 x 1630



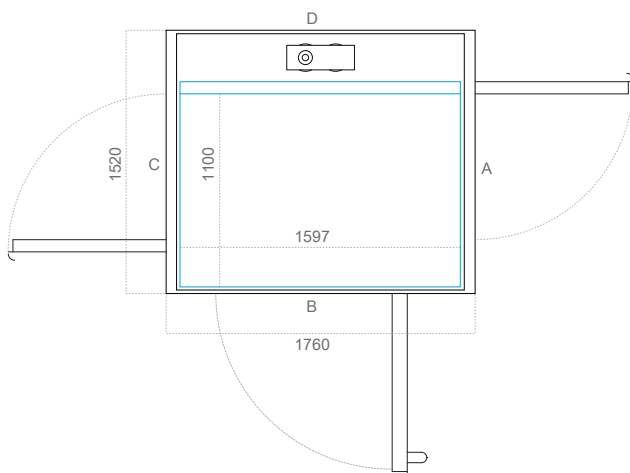
Door Opening Width (mm)		
Door Type	Side A/C	Side B
AL5/AL6 (aluminium)	900	1050
E160/E160G (fire proof)	900	1000
A15/A25 (half gate)	900	1000

L Size Option 7 (L x W) mm	
Platform size	1100 x 1467
Finished size	1460 x 1509
Cut out size	1520 x 1630



Door Opening Width (mm)		
Door Type	Side A/C	Side B
AL5/AL6 (aluminium)	900	1050
E160/E160G (fire proof)	900	1000
A15/A25 (half gate)	900	1000

XL Size Option 1 (L x W) mm	
Platform size	1100 x 1597
Finished size	1460 x 1639
Cut out size	1520 x 1760



Door Opening Width (mm)		
Door Type	Side A/C	Side B
AL5/AL6 (aluminium)	900	1050
E160/E160G (fire proof)	900	/
A15/A25 (half gate)	900	/

Cut out sizes above is only applied to our prefabricated shaft, the exact cut out sizes vary depending on the configuration of the lift and site specifications, please consult Cibes lift local company or distributor for more information.

15 COLOR CHOICES

STANDARD COLORS



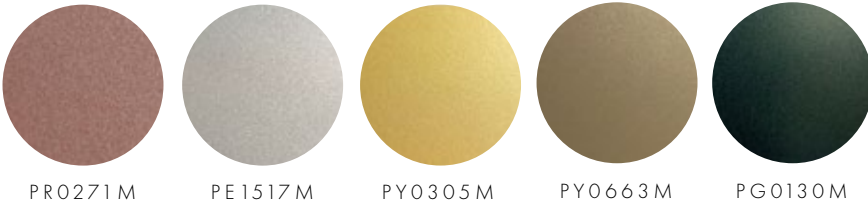
PW0584T

PB0371TM

PU7002M

PD0583TM

PREMIUM COLORS



PR0271M

PE1517M

PY0305M

PY0663M

PG0130M

LIMITED COLORS



PU7001M

PU7002M

PU8001M

PU1001M

SY88005

More customized color is available, please consult with your sales manager

WOOD OR CARPET FLOORING



BLACK PINE

WALNUT

TEAK

MAPLE

CHERRY

PEAR WOOD

GULDKANT

VÄVD

STRJÄRNKLAR

NATTSVART

ÄDELMETALL

STRÖM





VOYAGER

For more details, please visit CIBES local branch or authorized dealer or call 4007188798.
www.cibeslift.cn